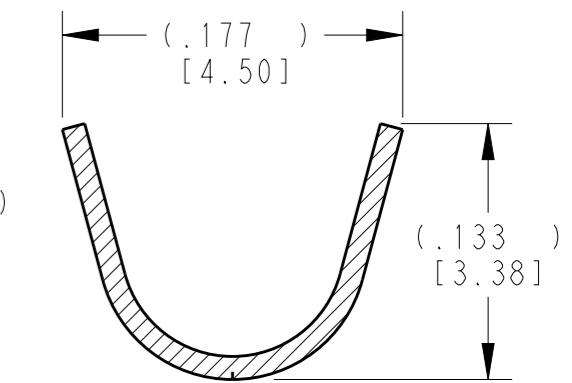
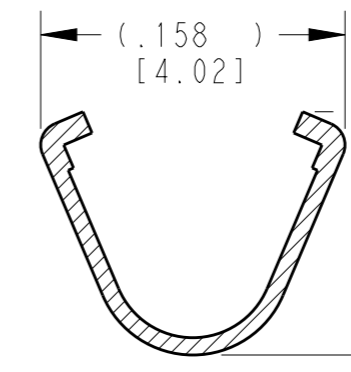
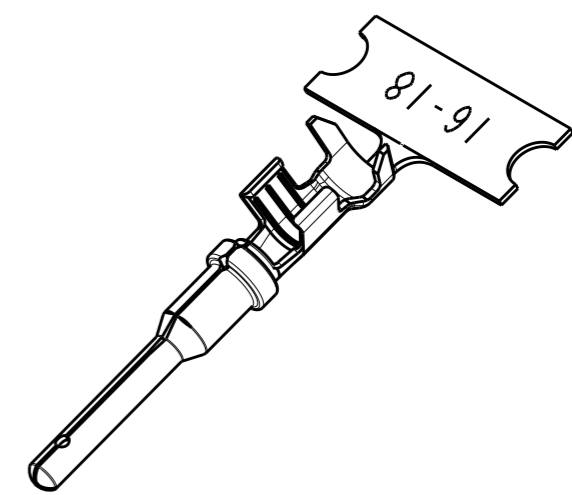
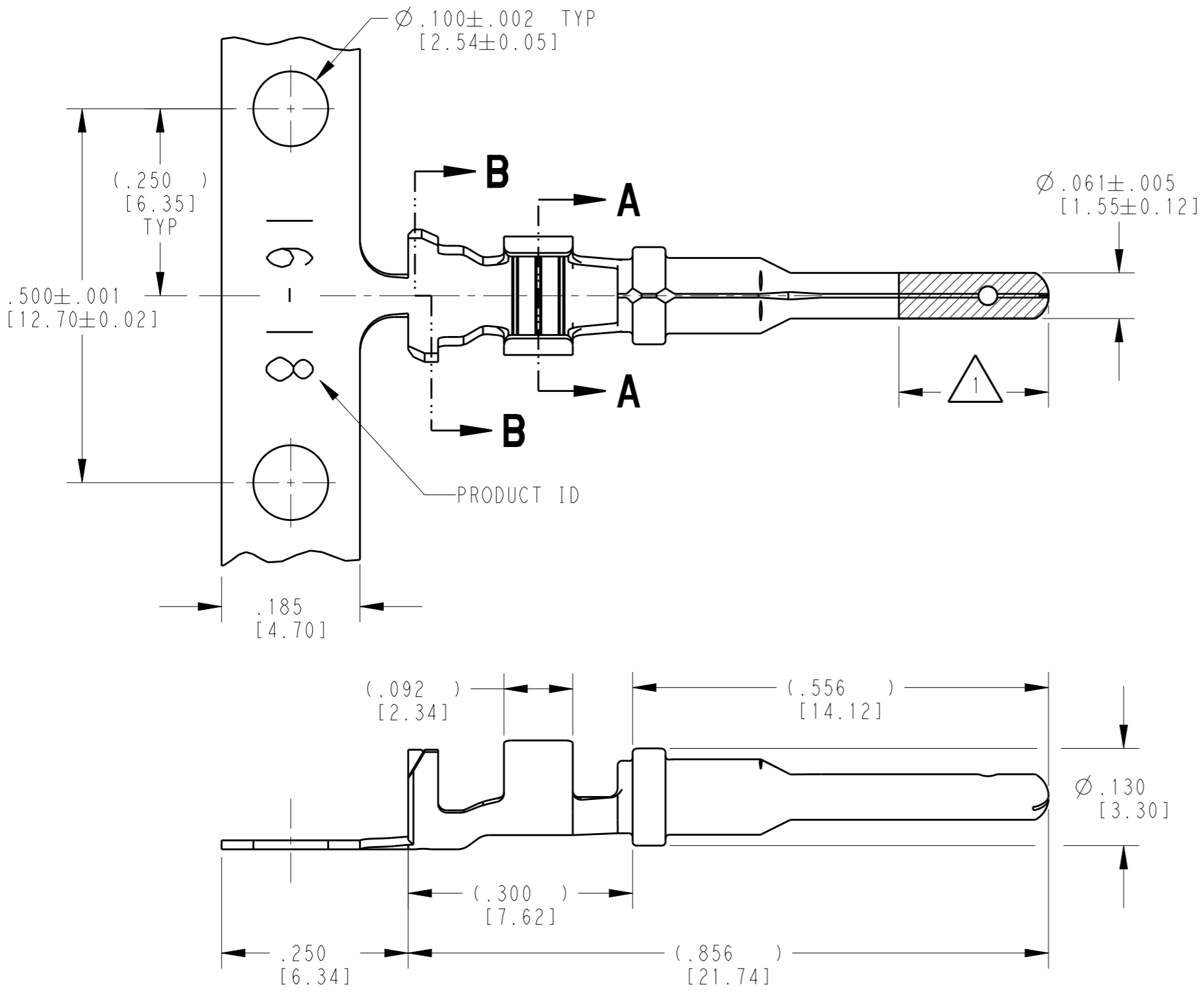


THIS DRAWING IS UNPUBLISHED  
 © COPYRIGHT 1999 BY TE CONNECTIVITY ALL RIGHTS RESERVED.  
 RELEASED FOR PUBLICATION 2015

LOC	DIST	REVISIONS			
P	LTR	DESCRIPTION	DATE	DWN	APVD
	F	REVISED PER E.O. P16998	08DEC2000	SP	RDR
	G	REVISED PER E.O. P19555	11JUL2007	JA	RDR
	H	REVISED PER E.O. P20396	25JUN2010	JA	RDR
	J	REVISED PER ECO-15-007761	289MAY2015	RL	DM



**SECTION A-A**  
WIRE BARREL

**SECTION B-B**  
INSULATION BARREL

- 3 MATERIAL: .012 [0.30] THICK COPPER ALLOY
- 2. WIRE RANGE: 18 AWG TO 14 AWG [0.75-2.0 mm<sup>2</sup>]  
INSULATION RANGE:  $\phi .075-.140$  [ $\phi 1.91-3.56$ ]
- 1 APPLIES ONLY TO SELECTIVE GOLD 1060-16-0144.  
INDICATED DIMENSION SHOWS GOLD PLATED AREA.

NOTES: UNLESS OTHERWISE SPECIFIED

THIS DRAWING IS A CONTROLLED DOCUMENT.		DWN M. BLUM 04NOV1999
DIMENSIONS: INCHES [mm]		CHK A. ROLINSKI 08DEC2000
TOLERANCES UNLESS OTHERWISE SPECIFIED:		APVD R. REED 08DEC2000
0 PLC ±		PRODUCT SPEC 0425-015-0000
1 PLC ±		APPLICATION SPEC 114-151000
2 PLC ±		WEIGHT 0.33 g
3 PLC ±.025 [0.64]		
4 PLC ±		
ANGLES ±		
MATERIAL 3	FINISH SEE TABLE	

TE INTERNAL PN	DEUTSCH PN	PLATING
1060-16-0122	1060-16-0122	NICKEL
1060-16-0144	1060-16-0144	SELECTIVE GOLD
1060-16-0177	1060-16-0177	TIN

 TE Connectivity		NAME	
		STAMPED CONTACT PIN SIZE 16	
SIZE	CAGE CODE	DRAWING NO	RESTRICTED TO
A3	4AFU8	©=1060-16-01XX	-
Customer Drawing		SCALE 6:1	SHEET 1 OF 1 REV J