



[Maxim](#) > [Design Support](#) > [Technical Documents](#) > [Tutorials](#) > [Automotive](#) > APP 746

[Maxim](#) > [Design Support](#) > [Technical Documents](#) > [Tutorials](#) > [Circuit Protection](#) > APP 746

Keywords: current sense IC, high side, current sense, amplifier, unidirectional, bi-directional, bidirectional, over current protection, short circuit protection, current sense resistor, current source, fuel gauges, fuel gages, battery charging current

TUTORIAL 746

# High-Side Current-Sense Measurement: Circuits and Principles

Nov 19, 2001

*Abstract: This application note describes the use of current-sense amplifiers, differential amplifiers, and instrumentation amplifiers to measure battery charge and discharge currents in smartphones, tablets, computer notebooks, and USB accessories. It compares high-side current sense amplifiers with low-side differential amplifiers and recommends selection criteria for current-sense resistors. A high-voltage circuit breaker is described to provide system over-current protection due to faults and short circuits. Application circuits for a variable linear current source and a programmable 0–5A current source are included.*

Current measurement (i.e., monitoring current flow into and out of electronic circuits) is an essential skill for a designer and necessary in a wide range of applications. Examples of applications include overcurrent protection, 4–20mA systems, battery chargers, high-brightness LED control, GSM base station power supply, and H-bridge motor control for which you must know the ratio of current flow into and out of a rechargeable battery (that is, the gauge function).

As more applications have become portable, demand has increased for dedicated current monitors that accomplish their task in a small package and with low quiescent current. The following discussion covers low-side and high-side current monitors and includes their architectures and applications.

## High- or Low-Side Monitor?

Most current-measurement applications employ either the low-side principle, in which the sense resistor connects in series with the ground path (**Figure 1**), or the high-side principle, in which it connects in series with the hot wire (**Figure 2**). These two approaches pose a trade-off in different areas. The low-side resistor adds undesirable extraneous resistance in the ground path. However, the circuitry associated with the high-side resistor must cope with relatively large common-mode signals. Moreover, if the op amp in Figure 1 has its GND pin referred to the positive side of  $R_{SENSE}$ , then its common-mode input range must extend below zero, that is, to  $GND - (R_{SENSE} \times I_{LOAD})$ .

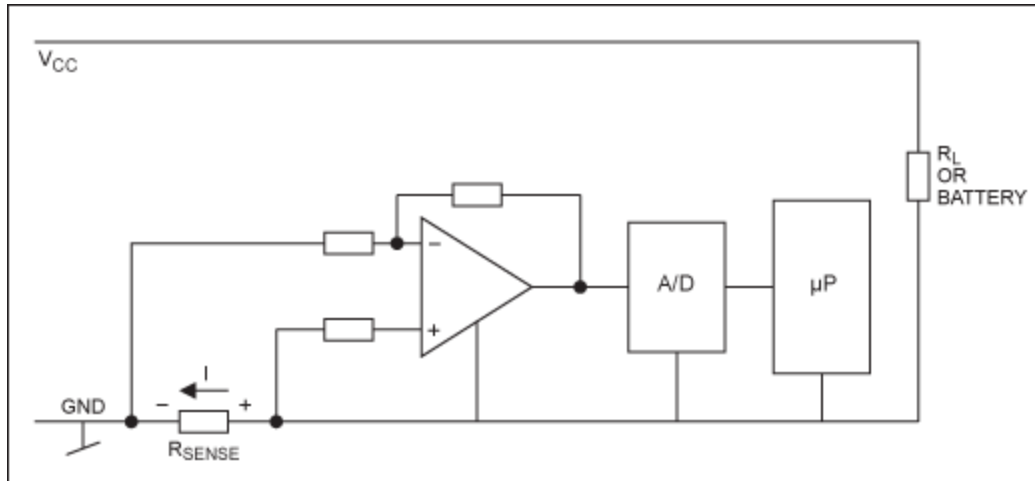


Figure 1. Principle of the low-side current monitor.

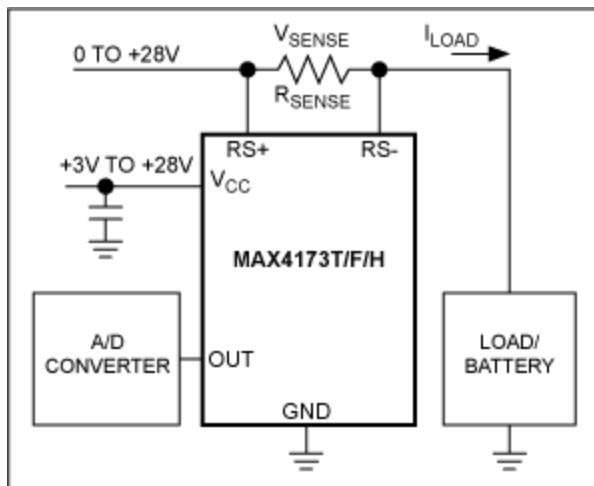


Figure 2. Example of a high-side current monitor.

However, do not let the simplicity of a low-side measuring circuit cause you to overlook the advantages of a high-side approach. Various faults can bypass the low-side monitor, thereby subjecting the load to dangerous and undetected stress (**Figure 3**). Note that loads connected through path A are monitored, but an accidental connection through path B bypasses the monitor. A high-side monitor connected directly to the power source, on the other hand, can detect any downstream failure and trigger appropriate corrective action. High-side monitors are also well suited for automotive applications in which the chassis serves as the ground potential.

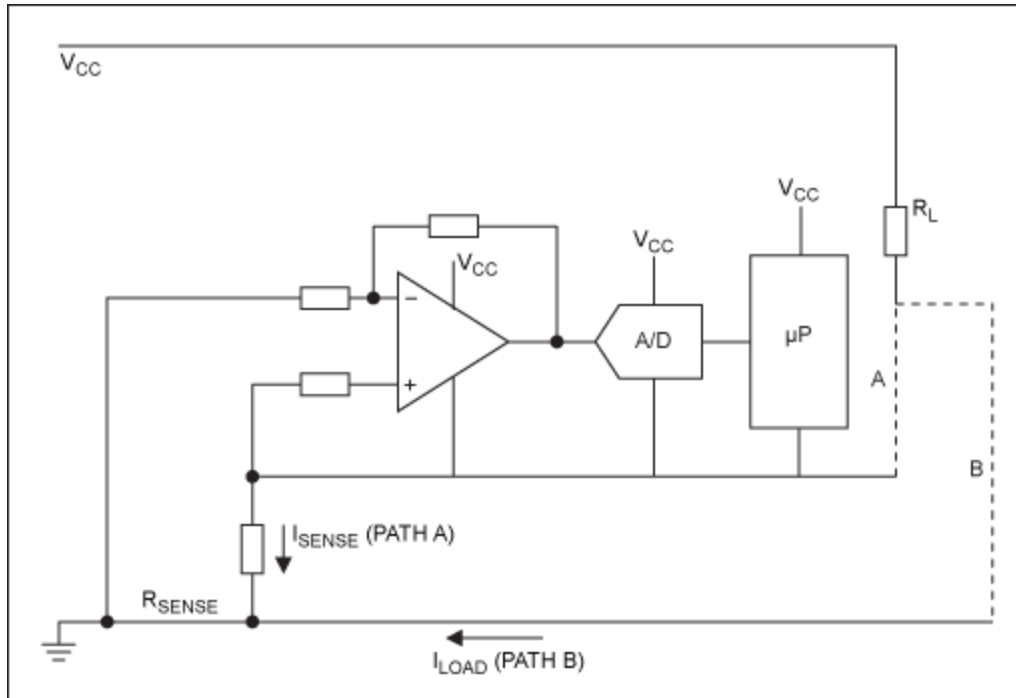


Figure 3. Path B can carry dangerously high currents if the load is accidentally connected to ground.

## Traditional High-Side Monitor

Previously, many implementations of these two approaches were based on discrete components or semidiscrete circuitry. In their simplest form, such high-side monitors require a precision op amp and a handful of precision resistors. One common approach for high-side measurements has been the use of the classic differential amplifier, which is employed as a gain amplifier and a level shifter from the high side to ground (**Figure 4**). Although this discrete circuit is widely used, it has three major disadvantages:

- Input resistance (equal to  $R_1$ ) is relatively low.
- Inputs usually exhibit a large difference in input resistance.
- Resistors must be very well matched to obtain an acceptable common-mode rejection ratio (CMRR): A 0.01% deviation in any resistor value lowers the CMRR to 86dB, a 0.1% deviation lowers it to 66dB, and a 1% deviation lowers it to 46dB.

High-side current monitoring forced the development of a number of new integrated circuits for that purpose. Low-side measuring, on the other hand, has not driven the development of many new, interesting ICs.

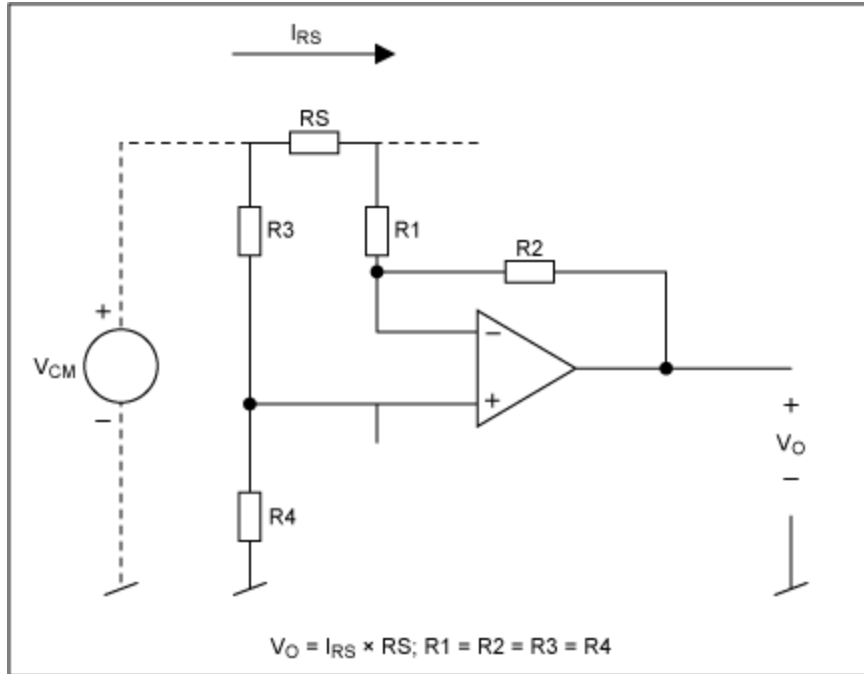


Figure 4. The differential amplifier is a basic component in high-side current measurements.

## Integrated Differential Amplifier

The use of differential amplifiers in high-side current measurement became more convenient due to the introduction of numerous ICs containing both a precision amplifier and well matched resistors. These devices offer CMRRs on the order of 105dB. An example is the MAX4198/MAX4199 (Figure 5). Available in 8-pin  $\mu$ MAX packages, these ICs achieve a typical CMRR of 110dB and have a gain error better than 0.01%.

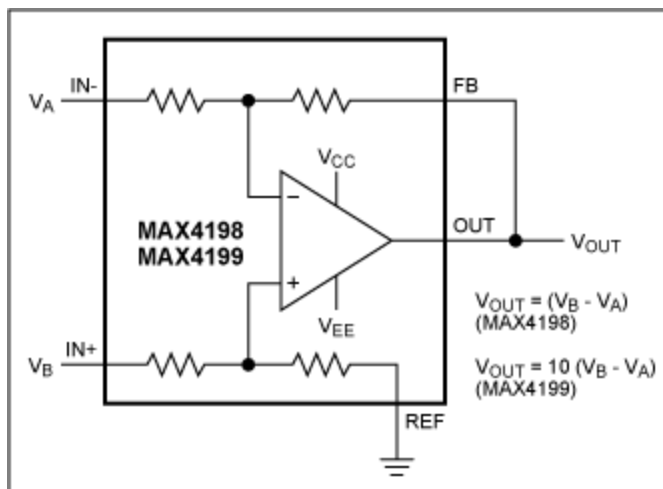


Figure 5. An integrated differential amplifier (the MAX4198/MAX4199) exhibits very high CMRR.

## Dedicated High-Side Monitors

Another approach to high-side current measurement is represented by ICs that contain all functions necessary to perform the measurement. They sense high-side currents in the presence of common-mode voltages as high as 32V and provide a ground-referenced current- or voltage-source output that is proportional to the current of interest. Power management, battery charging, and other applications that must accurately measure or control current can benefit from these dedicated current-sense amplifiers.

High-side current-sense amplifiers from Maxim employ a current-sense resistor placed between the positive terminal of the power supply and the supply input of the monitored circuit. This arrangement avoids extraneous resistance in the ground plane, greatly simplifies the layout, and generally improves the overall circuit performance. The variety of uni- and bidirectional current-sense ICs from Maxim includes bidirectional devices with or without internal sense resistors. The bidirectional amplifiers comprise a sign pin for indicating current direction.

These uni- and bidirectional current-sense ICs include models with adjustable gain, fixed internal gains of +20V/V, +50V/V, or +100V/V, and internal gain plus a single or dual comparator. They come in small packages to meet the strict demands of compact applications.

Common to all high-side IC monitors from Maxim is an ability to provide ground-referenced voltage or current outputs with few or no additional components. The output signal is proportional to the measured high-side current, which can have a common-mode voltage as high as 32V. **Figures 6** through **9** show some available architectures for the integrated high-side current monitor. Note that the MAX4172 current-source output is proportional to the voltage across  $R_{SENSE}$ .

Equations for the new high-side monitors indicate that the effect of external resistors on the CMRR is no longer an issue, because MRR (typically > 90dB) is now solely determined by the integrated amplifier. Integration of the current-measure function in a single IC provides the following advantages:

- Tight tolerance on active and passive integrated components
- An excellent temperature coefficient (TC)
- Small size
- Low-power consumption
- Ease of use



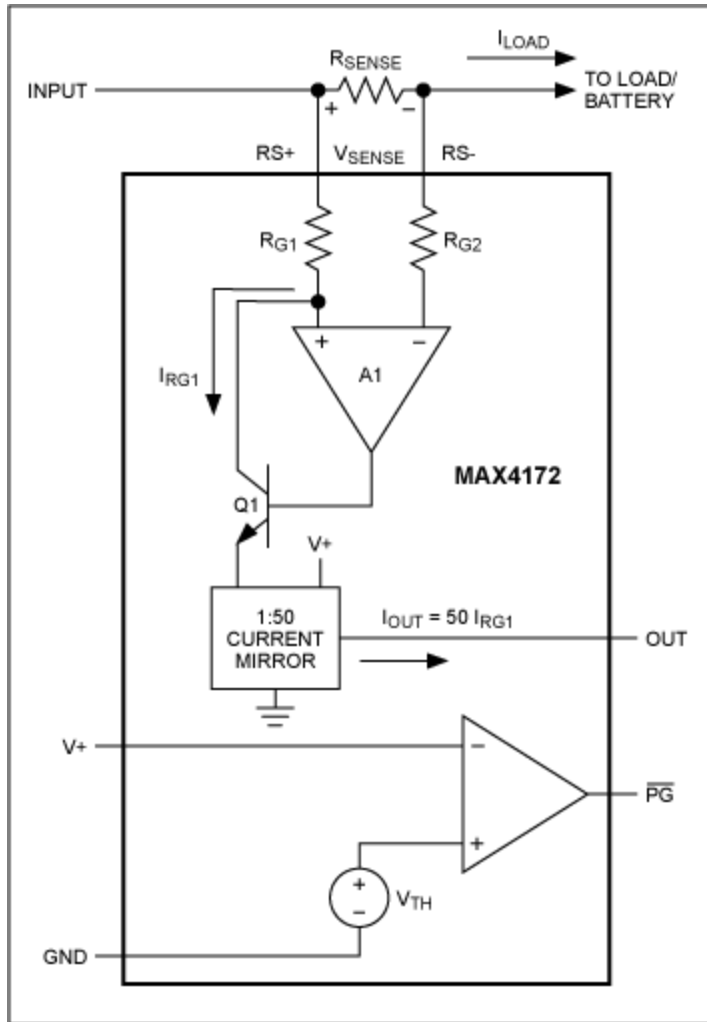


Figure 8. Another unidirectional high-side current monitor (the MAX4172).

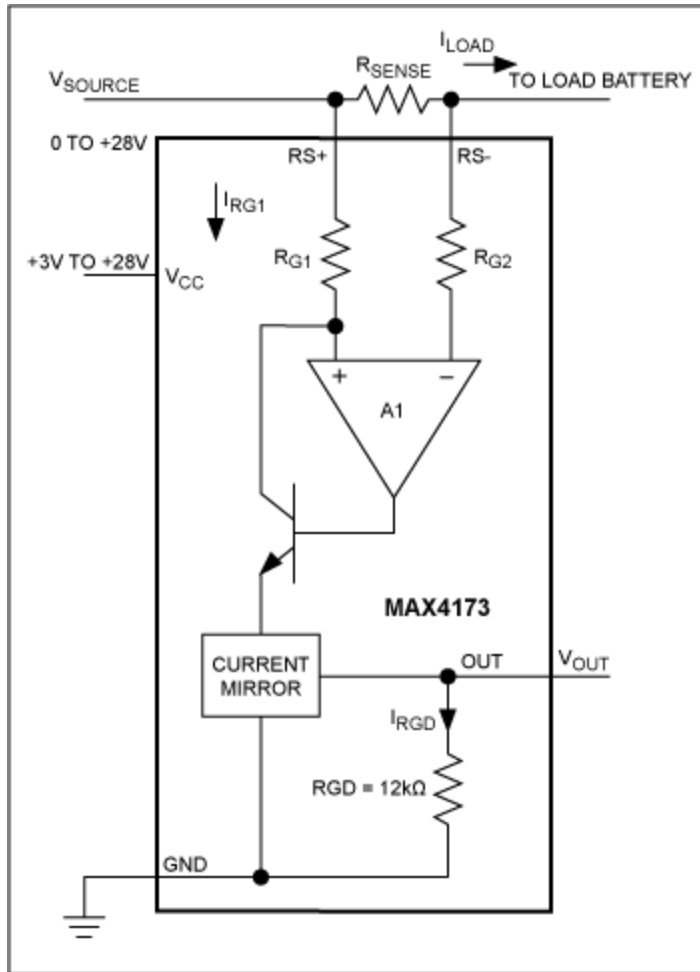


Figure 9. Yet another architecture for the unidirectional high-side current monitor (the MAX4173).

## Considerations When Selecting $R_{SENSE}$

Careful consideration of the shunt resistor ( $R_{SENSE}$ ) is an important and necessary part of designing any kind of current monitor. The following criteria should govern the selection of  $R_{SENSE}$ :

- **Voltage Loss:** High  $R_{SENSE}$  values cause the power-source voltage to degrade through IR loss. The lowest  $R_{SENSE}$  value gives the least voltage loss.
- **Accuracy:** High  $R_{SENSE}$  values let you measure low-level currents more accurately, because the voltage offset and input bias-current offsets are less significant with respect to the sense voltage.
- **Efficiency and Power Dissipation:** At high current levels, the  $I^2R$  loss in  $R_{SENSE}$  can be substantial, so take that into consideration when choosing the resistor value and power-dissipation rating (wattage). Excessive heat in the sense resistor can also cause its value to drift.
- **Inductance:** If  $I_{SENSE}$  has a large high-frequency component,  $R_{SENSE}$  must have low inductance. Wire-wound resistors have the highest inductance. Metal-film resistors are somewhat better, but low-inductance metal-film resistors (available in values under  $1.5\Omega$ ) are recommended. Unlike the metal-film and wire-wound types (i.e., spiral-wrapped around a core), low-inductance metal-film



resistors consist of a straight band of metal.

- **Cost:** Using a PCB trace as a sense resistor (**Figure 10**) is an alternative method for applications where the cost of  $R_{SENSE}$  is an issue. You will need to adjust the full-scale current value with a potentiometer because of inaccuracy in the copper resistance. The resistance temperature coefficient of copper is fairly high (approximately 0.4%/°C) in systems that undergo wide temperature variations.

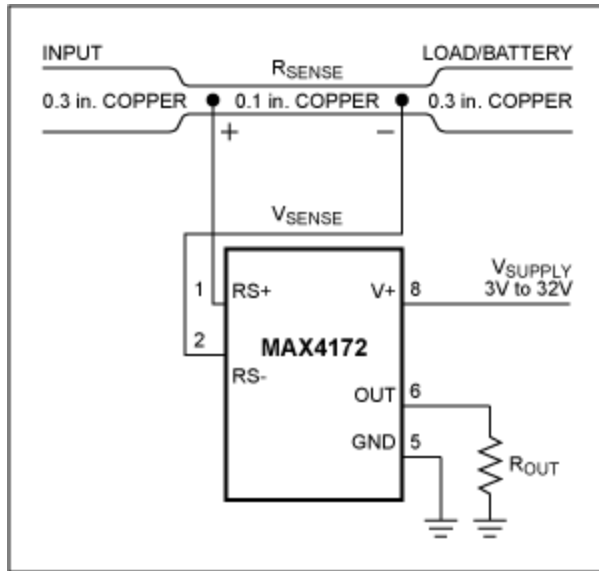


Figure 10. This high-side current monitor (the MAX4172) employs a PCB trace for  $R_{SENSE}$ .

## High-Side Monitor Applications

The circuit in **Figure 11** is a variable linear current source. IC1 converts  $R_1$  current to a proportional output voltage, enabling the voltage regulator (IC2) to produce a regulated output current. To set a specific, regulated  $I_{OUT}$  level between 0mA and 500mA, apply 5V to 0V at  $I_{CONTROL}$  (5V sets  $I_{OUT} = 0$ mA, and 0V sets  $I_{OUT} = 500$ mA). As an alternative, you can introduce a D/A converter as shown to provide digital control of  $I_{OUT}$ . For 12-bit resolution (60 $\mu$ A per LSB), the DAC can be a parallel-input MAX530 or serial-input MAX531. For 10-bit resolution (250 $\mu$ A per LSB), the DAC can be a parallel-input MAX503 or a serial-input MAX504.

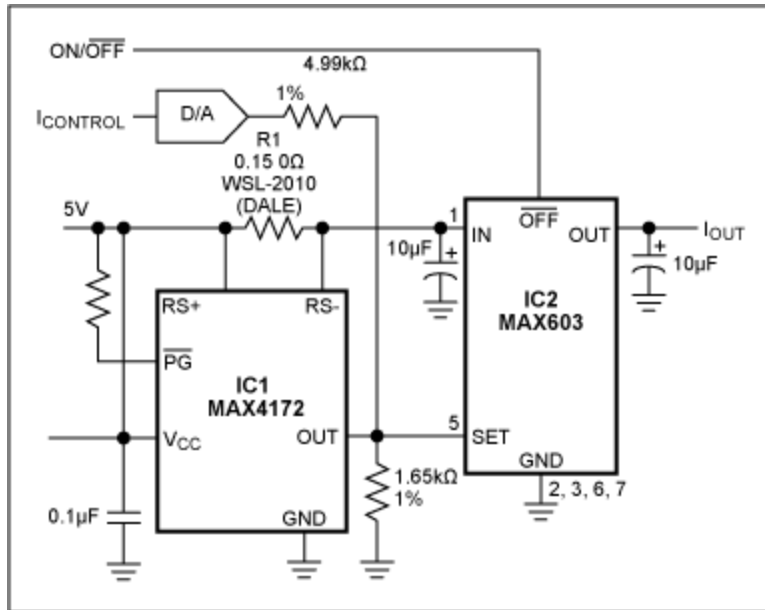


Figure 11. A variable linear current source (the MAX603).

The **Figure 12** circuit is a 0–5A programmable variable current source. Generating 0A to 5A with a compliance range of 4V to 28V, it offers two advantages: The 12-bit D/A converter makes it digitally programmable, and the switch-mode step-down regulator (IC1) makes it more efficient than the alternative current source with the linear pass transistor. Applications include overcurrent protection, 4–20mA systems, battery chargers, high-brightness LED control, GSM base station power supply, and H-bridge motor control.

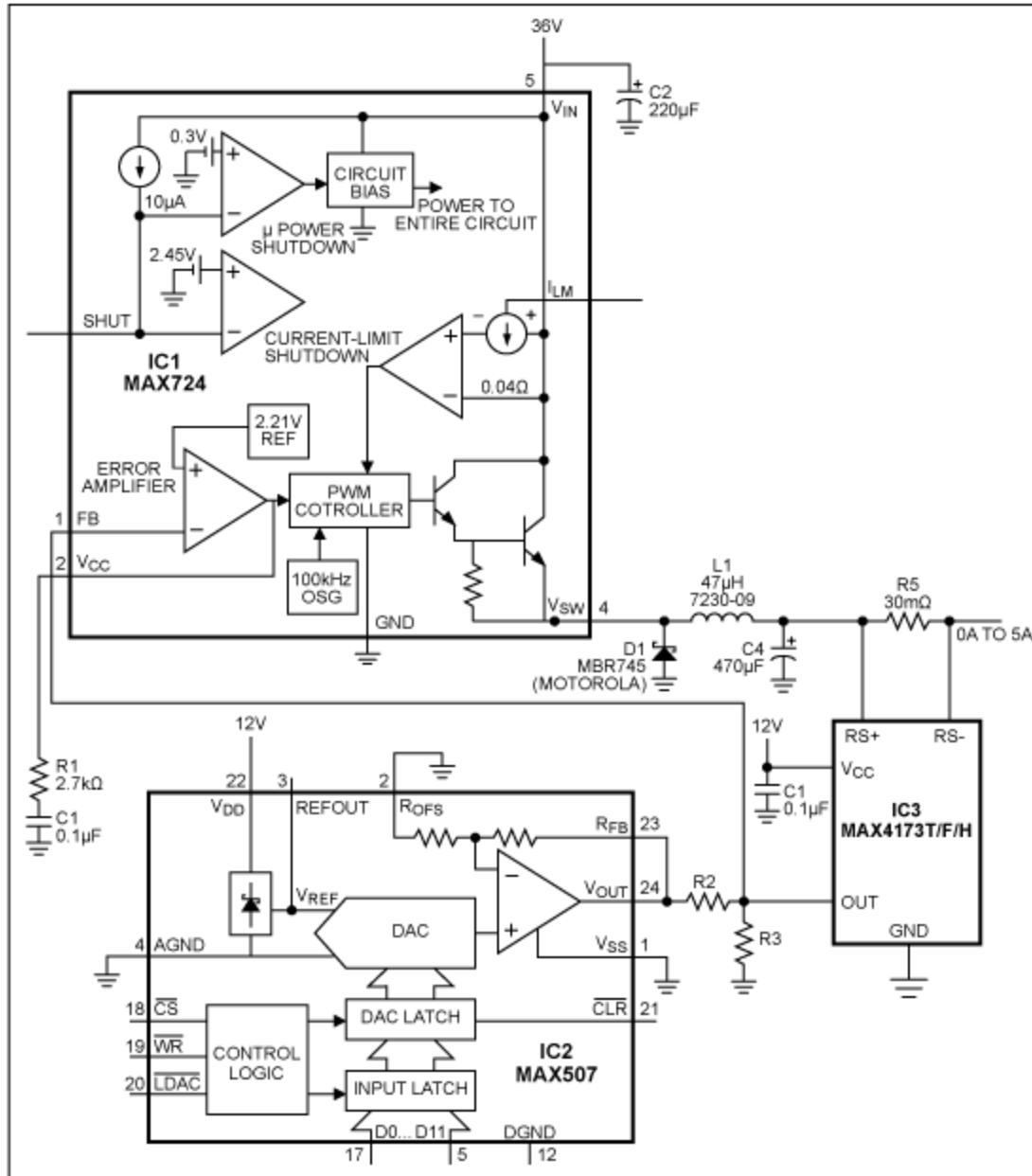


Figure 12. A 0–5A programmable current source (the MAX4173).

Widespread use of the universal serial bus (USB) has led to a variety of overcurrent protection circuits for supply rails in the range 2.7V to 5.5V, but few products are available for voltages above that range. The circuit breaker in **Figure 13** operates on supply voltages to 26V and trips at a programmed current threshold.

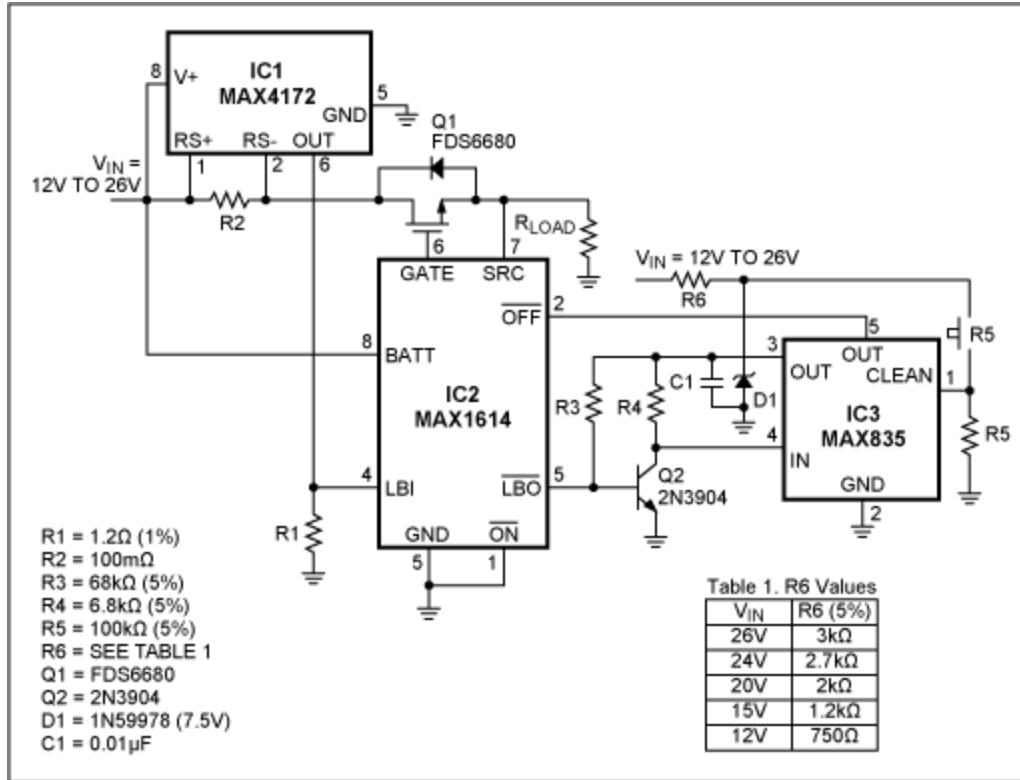


Figure 13. This high-voltage circuit breaker (the MAX4172) protects to 26V.

### Related Parts

<a href="#">MAX4070</a>	Bidirectional, High-Side, Current-Sense Amplifiers with Reference	<a href="#">Free Samples</a>
<a href="#">MAX4073</a>	Low-Cost, SC70, Voltage-Output, High-Side Current-Sense Amplifier	<a href="#">Free Samples</a>
<a href="#">MAX4080</a>	76V, High-Side, Current-Sense Amplifiers with Voltage Output	<a href="#">Free Samples</a>
<a href="#">MAX4172</a>	Low-Cost, Precision, High-Side Current-Sense Amplifier	<a href="#">Free Samples</a>
<a href="#">MAX4173</a>	Low-Cost, SOT23, Voltage-Output, High-Side Current-Sense Amplifier	<a href="#">Free Samples</a>
<a href="#">MAX4198</a>	Micropower, Single-Supply, Rail-to-Rail Precision Differential Amplifiers	<a href="#">Free Samples</a>
<a href="#">MAX4199</a>	Micropower, Single-Supply, Rail-to-Rail Precision Differential Amplifiers	<a href="#">Free Samples</a>
<a href="#">MAX4372</a>	Low-Cost, UCSP/SOT23, Micropower, High-Side Current-Sense Amplifier with Voltage Output	<a href="#">Free Samples</a>

<a href="#">MAX4373</a>	Low-Cost, Micropower, High-Side Current-Sense Amplifier + Comparator + Reference ICs	<a href="#">Free Samples</a>
<a href="#">MAX4374</a>	Low-Cost, Micropower, High-Side Current-Sense Amplifier + Comparator + Reference ICs	<a href="#">Free Samples</a>
<a href="#">MAX4375</a>	Low-Cost, Micropower, High-Side Current-Sense Amplifier + Comparator + Reference ICs	<a href="#">Free Samples</a>
<a href="#">MAX4376</a>	Single/Dual/Quad High-Side Current-Sense Amplifiers with Internal Gain	<a href="#">Free Samples</a>
<a href="#">MAX503</a>	5V, Low-Power, Parallel-Input, Voltage-Output, 10-Bit DAC	<a href="#">Free Samples</a>
<a href="#">MAX504</a>	5V, Low-Power, Voltage-Output, Serial, 10-Bit DACs	<a href="#">Free Samples</a>
<a href="#">MAX530</a>	+5V, Low-Power, Parallel-Input, Voltage-Output, 12-Bit DAC	<a href="#">Free Samples</a>
<a href="#">MAX531</a>	+5V, Low-Power, Voltage-Output, Serial 12-Bit DACs	<a href="#">Free Samples</a>
<a href="#">MAX603</a>	5V/3.3V or Adjustable, Low-Dropout, Low-I <sub>Q</sub> , 500mA Linear Regulators	<a href="#">Free Samples</a>

---

#### More Information

For Technical Support: <http://www.maximintegrated.com/support>

For Samples: <http://www.maximintegrated.com/samples>

Other Questions and Comments: <http://www.maximintegrated.com/contact>

---

Application Note 746: <http://www.maximintegrated.com/an746>

TUTORIAL 746, AN746, AN 746, APP746, Appnote746, Appnote 746

Copyright © by Maxim Integrated

Additional Legal Notices: <http://www.maximintegrated.com/legal>