



**MXC SERIES**

**105°C Standard, Snap-in Terminal Type**

**◆FEATURES**

- Load Life : 105°C 3000 hours.
- RoHS compliance.
- Smaller size with higher ripple current endurance than MXR series.



**◆SPECIFICATIONS**

Items	Characteristics																									
Category Temperature Range	-40 ~ +105°C	-25 ~ +105°C																								
Rated Voltage Range	10~100V.DC	160~450V.DC																								
Capacitance Tolerance	± 20%(20°C, 120Hz)																									
Leakage Current(MAX)	$I=3\sqrt{CV}$ (After 5 minutes application of rated voltage) I=Leakage Current(µA)    C=Rated Capacitance(µF)    V=Rated Voltage(V)																									
Dissipation Factor(MAX) (tanδ)	<table border="1"> <thead> <tr> <th>定格電圧(V) Rated Voltage</th> <th>10</th> <th>16</th> <th>25</th> <th>35</th> <th>50</th> <th>63</th> <th>80</th> <th>100</th> <th>160~400</th> <th>420~450</th> <th>(20°C, 120Hz)</th> </tr> </thead> <tbody> <tr> <td>tan δ</td> <td>0.55</td> <td>0.50</td> <td>0.45</td> <td>0.40</td> <td>0.35</td> <td>0.30</td> <td>0.25</td> <td>0.20</td> <td>0.15</td> <td>0.20</td> <td></td> </tr> </tbody> </table>		定格電圧(V) Rated Voltage	10	16	25	35	50	63	80	100	160~400	420~450	(20°C, 120Hz)	tan δ	0.55	0.50	0.45	0.40	0.35	0.30	0.25	0.20	0.15	0.20	
定格電圧(V) Rated Voltage	10	16	25	35	50	63	80	100	160~400	420~450	(20°C, 120Hz)															
tan δ	0.55	0.50	0.45	0.40	0.35	0.30	0.25	0.20	0.15	0.20																
Impedance Ratio(MAX)	<table border="1"> <thead> <tr> <th>Rated Voltage (V)</th> <th>10~100</th> <th>160~250</th> <th>315~450</th> <th>(120Hz)</th> </tr> </thead> <tbody> <tr> <td>Z(-25°C)/Z(20°C)</td> <td>3</td> <td>3</td> <td>8</td> <td></td> </tr> <tr> <td>Z(-40°C)/Z(20°C)</td> <td>12</td> <td>-</td> <td>-</td> <td></td> </tr> </tbody> </table>		Rated Voltage (V)	10~100	160~250	315~450	(120Hz)	Z(-25°C)/Z(20°C)	3	3	8		Z(-40°C)/Z(20°C)	12	-	-										
Rated Voltage (V)	10~100	160~250	315~450	(120Hz)																						
Z(-25°C)/Z(20°C)	3	3	8																							
Z(-40°C)/Z(20°C)	12	-	-																							
Endurance	After applying rated voltage with rated ripple-current for 3000hrs at 105°C, the capacitors shall meet the following requirements. <table border="1"> <tbody> <tr> <td>Capacitance Change</td> <td>Within ± 20% of the initial value.</td> </tr> <tr> <td>Dissipation Factor</td> <td>Not more than 200% of the specified value.</td> </tr> <tr> <td>Leakage Current</td> <td>Not more than the specified value.</td> </tr> </tbody> </table>		Capacitance Change	Within ± 20% of the initial value.	Dissipation Factor	Not more than 200% of the specified value.	Leakage Current	Not more than the specified value.																		
Capacitance Change	Within ± 20% of the initial value.																									
Dissipation Factor	Not more than 200% of the specified value.																									
Leakage Current	Not more than the specified value.																									

**◆MULTIPLIER FOR RIPPLE CURRENT**

Frequency coefficient

Frequency (Hz)		60(50)	120	500	1k	10k≤
Coefficient	10~100WV	0.90	1.00	1.05	1.10	1.15
	160~250WV	0.80	1.00	1.20	1.30	1.50
	315~450WV	0.80	1.00	1.20	1.25	1.40

**◆PART NUMBER**

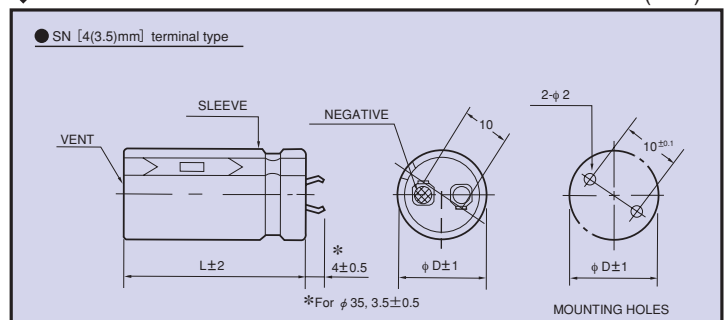
□□□    **MXC**    □□□□□    □    □□□    **SN**    **D×L**  
 Rated Voltage    Series    Rated Capacitance    Capacitance Tolerance    Option    Terminal Code    Case Size

**◆Option**

	Code
PET Sleeve without plate	EFC
PVC Sleeve without plate	OOE
PVC Sleeve with plate	Blank

**◆DIMENSIONS**

(mm)





◆ STANDARD SIZE

Cap ( $\mu$ F)	WV $\phi$ D	10					16					
		$\phi$ 20	$\phi$ 22	$\phi$ 25	$\phi$ 30	$\phi$ 35	$\phi$ 20	$\phi$ 22	$\phi$ 25	$\phi$ 30	$\phi$ 35	
6800		20x25:1.31					20x25:1.80					
8200		20x30:1.59					20x30:2.08	22x25:2.08				
10000		20x30:1.88	22x25:1.77				20x35:2.15	22x30:2.15				
12000		20x35:2.18	22x30:2.10	25x25:1.94			20x40:2.31	22x30:2.31	25x25:2.31			
15000		20x40:2.27	22x35:2.23	25x30:2.10				22x35:2.68	25x30:2.68			
18000			22x40:2.41	25x30:2.34	30x25:2.25			22x40:3.20	25x30:3.20	30x25:3.20		
22000			22x45:2.58	25x35:2.54	30x30:2.50			22x45:3.36	25x35:3.36	30x30:3.36		
27000			22x50:3.17	25x40:3.07	30x30:2.95			22x50:3.85	25x40:3.85	30x30:3.85		
33000				25x45:3.39	30x35:3.33	35x30:3.21			25x45:4.30	30x35:4.30	35x30:4.30	
39000					30x40:3.70	35x35:3.68			25x50:4.81	30x40:4.81	35x35:4.81	
47000					30x45:4.22	35x40:4.16				30x45:5.53	35x40:5.53	
56000						35x45:5.00				30x50:6.00	35x45:6.00	
68000											35x50:6.40	

Cap ( $\mu$ F)	WV $\phi$ D	25					35					
		$\phi$ 20	$\phi$ 22	$\phi$ 25	$\phi$ 30	$\phi$ 35	$\phi$ 20	$\phi$ 22	$\phi$ 25	$\phi$ 30	$\phi$ 35	
2700							20x25:1.29					
3300							20x30:1.57					
3900							20x30:1.78	22x25:1.78				
4700		20x25:1.65					20x35:2.02	22x30:2.02				
5600		20x30:1.85	22x25:1.85				20x40:2.13	22x35:2.13	25x25:2.13			
6800		20x35:2.11	22x30:2.11					22x40:2.41	25x30:2.41			
8200		20x40:2.34	22x30:2.34	25x25:2.34				22x45:2.85	25x35:2.85	30x25:2.85		
10000			22x35:2.65	25x30:2.65				22x50:3.05	25x40:3.05	30x30:3.05		
12000			22x40:2.81	25x30:2.81	30x25:2.81				25x45:3.37	30x35:3.37	35x30:3.37	
15000			22x45:3.13	25x35:3.13	30x30:3.13				25x50:3.72	30x40:3.72	35x35:3.72	
18000				25x40:3.56	30x30:3.56					30x45:4.37	35x35:4.37	
22000				25x50:4.04	30x35:4.04	35x30:4.04				30x50:4.92	35x40:4.92	
27000					30x40:4.74	35x35:4.74					35x50:5.30	
33000					30x50:5.50	35x40:5.50						
39000						35x45:5.80						
47000						35x50:6.30						

Cap ( $\mu$ F)	WV $\phi$ D	50					63					
		$\phi$ 20	$\phi$ 22	$\phi$ 25	$\phi$ 30	$\phi$ 35	$\phi$ 20	$\phi$ 22	$\phi$ 25	$\phi$ 30	$\phi$ 35	
1200							20x25:1.20					
1500							20x30:1.47	22x25:1.47				
1800		20x25:1.39					20x35:1.58	22x30:1.58				
2200		20x30:1.60	22x25:1.60				20x40:1.82	22x35:1.82	25x25:1.82			
2700		20x35:1.73	22x30:1.73	25x25:1.73				22x35:2.11	25x30:2.11			
3300		20x40:1.97	22x35:1.97	25x30:1.97				22x45:2.33	25x35:2.33	30x25:2.33		
3900			22x40:2.22	25x30:2.22				22x50:2.55	25x40:2.55	30x30:2.55		
4700			22x45:2.43	25x35:2.43	30x25:2.43				25x45:2.97	30x35:2.97		
5600			22x50:2.75	25x40:2.75	30x30:2.75				25x50:3.22	30x35:3.22	35x30:3.22	
6800				25x45:3.30	30x35:3.30					30x40:3.65	35x35:3.65	
8200				25x50:3.60	30x40:3.60	35x30:3.60				30x50:4.04	35x40:4.04	
10000					30x45:4.05	35x35:4.05					35x45:4.48	
12000					30x50:4.56	35x40:4.56					35x50:4.75	
15000						35x50:4.77						

Cap ( $\mu$ F)	WV $\phi$ D	80					100					
		$\phi$ 20	$\phi$ 22	$\phi$ 25	$\phi$ 30	$\phi$ 35	$\phi$ 20	$\phi$ 22	$\phi$ 25	$\phi$ 30	$\phi$ 35	
560							20x25:0.95					
680							20x30:1.15	22x25:1.15				
820		20x25:1.04					20x35:1.32	22x30:1.32				
1000		20x30:1.24	22x25:1.24				20x35:1.47	22x30:1.47	25x25:1.47			
1200		20x35:1.44	22x30:1.44				20x40:1.69	22x35:1.69	25x30:1.69			
1500		20x35:1.59	22x30:1.59	25x25:1.59				22x40:1.98	25x35:1.98	30x25:1.98		
1800		20x40:1.79	22x35:1.79	25x30:1.79				22x45:2.23	25x35:2.23	30x30:2.23		
2200			22x40:2.03	25x30:2.03	30x25:2.03				25x45:2.55	30x35:2.55	35x30:2.55	
2700			22x45:2.39	25x35:2.39	30x30:2.39				25x50:2.89	30x40:2.89	35x30:2.89	
3300				25x40:2.64	30x35:2.64					30x45:3.30	35x35:3.30	
3900				25x50:2.97	30x35:2.97	35x30:2.97				30x50:3.67	35x40:3.67	
4700					30x40:3.38	35x35:3.38					35x45:3.80	
5600					30x45:3.80	35x40:3.80					35x50:4.05	
6800						35x45:4.10						
8200						35x50:4.30						

↑ Ripple Current (A r.m.s./120Hz, 105°C)  
↑ Case Size  $\phi$  D x L (mm)

**◆ STANDARD SIZE**

Cap ( $\mu$ F)	WV $\phi$ D	160					180										
		$\phi$ 20	$\phi$ 22	$\phi$ 25	$\phi$ 30	$\phi$ 35	$\phi$ 20	$\phi$ 22	$\phi$ 25	$\phi$ 30	$\phi$ 35						
270	20x25	1.10					20x25	0.93									
330	20x30	1.20	22x25	1.21			20x30	1.20	22x25	1.20							
390	20x30	1.24	22x25	1.30			20x35	1.30	22x30	1.35							
470	20x35	1.42	22x30	1.41			20x40	1.40	22x35	1.42	25x25	1.38					
560	20x40	1.57	22x35	1.54	25x25	1.51		20x45	1.55	22x40	1.60	25x30	1.55				
680	20x45	1.70	22x40	1.74	25x30	1.74	30x25	1.74		22x45	1.78	25x35	1.78	30x25	1.55		
820			22x45	2.00	25x35	2.00	30x30	2.00		22x50	2.00	25x40	2.00	30x30	2.00	35x25	2.00
1000			22x50	2.25	25x40	2.25	30x30	2.25	35x25	2.25		25x45	2.25	30x35	2.25	35x30	2.26
1200					25x45	2.49	30x35	2.49	35x30	2.45		25x50	2.54	30x40	2.52	35x30	2.60
1500							30x40	2.84	35x30	2.68				30x45	2.90	35x35	2.95
1800							30x45	3.32	35x35	3.00				30x50	3.00	35x40	3.30
2200									35x45	3.50						35x50	3.65
2700									35x50	4.00							

Cap ( $\mu$ F)	WV $\phi$ D	200					220										
		$\phi$ 20	$\phi$ 22	$\phi$ 25	$\phi$ 30	$\phi$ 35	$\phi$ 20	$\phi$ 22	$\phi$ 25	$\phi$ 30	$\phi$ 35						
180							20x25	0.86									
220	20x25	1.00					20x30	1.04	22x25	0.99							
270	20x30	1.10	22x25	1.10			20x30	1.08	22x25	1.04							
330	20x30	1.15	22x30	1.25			20x35	1.30	22x30	1.32	25x25	1.26					
390	20x35	1.25	22x30	1.31	25x25	1.31		20x40	1.45	22x35	1.42	25x30	1.45				
470	20x40	1.42	22x35	1.45	25x30	1.45		20x45	1.63	22x40	1.67	25x30	1.54	30x25	1.48		
560			22x40	1.60	25x30	1.60	30x25	1.60		22x45	1.77	25x35	1.66	30x30	1.65		
680			22x45	1.75	25x35	1.78	30x30	1.78				25x40	1.87	30x30	1.82	35x25	1.78
820			22x50	1.95	25x40	1.95	30x30	2.00				25x45	2.04	30x35	2.00	35x30	1.93
1000					25x45	2.10	30x35	2.30	35x30	2.30				30x40	2.48	35x35	2.33
1200							30x40	2.64	35x35	2.65				30x45	2.88	35x40	2.65
1500							30x50	3.08	35x40	3.08						35x45	2.96
1800									35x45	3.48						35x50	3.39
2200									35x50	3.55							

Cap ( $\mu$ F)	WV $\phi$ D	250					315									
		$\phi$ 20	$\phi$ 22	$\phi$ 25	$\phi$ 30	$\phi$ 35	$\phi$ 20	$\phi$ 22	$\phi$ 25	$\phi$ 30	$\phi$ 35					
82							20x25	0.64								
100							20x30	0.69	22x25	0.62						
120							20x30	0.75	22x25	0.75	25x25	0.76				
150							20x35	0.82	22x30	0.82	25x25	0.82				
180							20x40	0.90	22x35	0.92	25x25	0.90				
220	20x30	1.00	22x25	1.00			20x50	1.00	22x40	1.04	25x30	1.04	30x25	1.04		
270	20x35	1.10	22x30	1.15					22x45	1.16	25x35	1.15	30x25	1.15	35x25	1.15
330	20x40	1.20	22x35	1.28					22x50	1.22	25x40	1.23	30x30	1.33	35x25	1.32
390	20x45	1.35	22x40	1.49	25x30	1.35	30x25	1.49			25x45	1.40	30x35	1.47	35x30	1.47
470			22x45	1.60	25x35	1.57	30x30	1.65					30x40	1.70	35x30	1.70
560			22x50	1.72	25x40	1.80	30x30	1.80					30x45	2.05	35x35	1.90
680					25x45	1.85	30x35	2.00	35x30	2.00			30x50	2.14	35x40	2.17
820					25x50	2.10	30x40	2.18	35x35	2.30					35x45	2.20
1000							30x45	2.40	35x35	2.35						
1200									35x40	2.50						
1500									35x50	3.00						

Cap ( $\mu$ F)	WV $\phi$ D	350					385											
		$\phi$ 20	$\phi$ 22	$\phi$ 25	$\phi$ 30	$\phi$ 35	$\phi$ 20	$\phi$ 22	$\phi$ 25	$\phi$ 30	$\phi$ 35							
56							20x25	0.42										
68	20x25	0.47					20x30	0.47	22x25	0.49								
82	20x30	0.55					20x30	0.52	22x25	0.55								
100	20x30	0.60	22x25	0.69			20x35	0.60	22x30	0.66	25x25	0.66						
120	20x35	0.70	22x30	0.75	25x25	0.75		20x40	0.68	22x35	0.71	25x25	0.71					
150	20x40	0.78	22x35	0.82	25x30	0.83				22x40	0.83	25x30	0.83	30x25	0.77			
180	20x45	0.88	22x40	0.92	25x30	0.92	30x25	0.92			22x45	0.92	25x35	0.92	30x30	0.89		
220			22x45	1.05	25x35	1.05	30x30	1.02			22x50	1.03	25x40	1.03	30x30	1.01	35x25	1.03
270			22x50	1.18	25x40	1.18	30x30	1.18	35x25	1.20			25x45	1.14	30x35	1.15	35x30	1.13
330					25x45	1.30	30x35	1.35	35x30	1.22					30x40	1.32	35x30	1.35
390					25x50	1.45	30x40	1.52	35x35	1.48					30x45	1.46	35x35	1.50
470							30x45	1.65	35x35	1.70					30x50	1.72	35x40	1.79
560							30x50	1.85	35x40	1.90							35x45	1.99
680									35x45	2.00								

↑ Ripple Current (A r.m.s./120Hz, 105°C)  
↑ Case Size  $\phi$  D x L (mm)



◆ STANDARD SIZE

Cap ( $\mu$ F)	WV $\phi$ D	400					420				
		$\phi$ 20	$\phi$ 22	$\phi$ 25	$\phi$ 30	$\phi$ 35	$\phi$ 20	$\phi$ 22	$\phi$ 25	$\phi$ 30	$\phi$ 35
56	20x25; 0.51						20x25; 0.44				
68	20x30; 0.56	22x25; 0.52					20x30; 0.49	22x25; 0.51			
82	20x30; 0.64	22x25; 0.64					20x35; 0.54	22x30; 0.65	25x25; 0.65		
100	20x35; 0.70	22x30; 0.70	25x25; 0.70				20x35; 0.61	22x30; 0.68	25x25; 0.67		
120	20x40; 0.75	22x35; 0.75	25x25; 0.75				20x40; 0.70	22x35; 0.73	25x30; 0.76	30x25; 0.81	
150	20x45; 0.83	22x40; 0.88	25x30; 0.88	30x25; 0.82			20x45; 0.78	22x40; 0.86	25x35; 0.87	30x25; 0.84	
180		22x45; 0.98	25x35; 0.98	30x30; 0.95				22x45; 0.96	25x35; 0.95	30x30; 0.97	35x25; 0.91
220		22x50; 1.10	25x40; 1.10	30x30; 1.10	35x25; 1.10				25x40; 1.08	30x35; 1.14	35x30; 1.07
270			25x45; 1.21	30x35; 1.22	35x30; 1.22				25x50; 1.38	30x35; 1.20	35x35; 1.29
330				30x40; 1.44	35x30; 1.44					30x40; 1.37	35x35; 1.44
390				30x45; 1.55	35x35; 1.60					30x45; 1.50	35x40; 1.63
470					35x40; 1.90						35x45; 1.88
560					35x45; 2.12						

Cap ( $\mu$ F)	WV $\phi$ D	450				
		$\phi$ 20	$\phi$ 22	$\phi$ 25	$\phi$ 30	$\phi$ 35
47	20x25; 0.39					
56	20x30; 0.51	22x25; 0.44				
68	20x35; 0.56	22x30; 0.53				
82	20x35; 0.64	22x30; 0.64	25x25; 0.64			
100	20x45; 0.69	22x35; 0.69	25x30; 0.69	30x25; 0.69		
120	20x50; 0.75	22x40; 0.75	25x30; 0.75	30x25; 0.80		
150		22x45; 0.88	25x35; 0.88	30x30; 0.88	35x25; 0.75	
180			25x40; 0.95	30x30; 1.00	35x30; 0.86	
220			25x45; 1.10	30x35; 1.12	35x30; 1.05	
270				30x40; 1.28	35x35; 1.27	
330				30x50; 1.45	35x40; 1.45	
390					35x40; 1.65	
470					35x50; 1.85	

↑ Ripple Current (A r.m.s./120Hz, 105°C)  
 ↑ Case Size  $\phi$  D x L (mm)