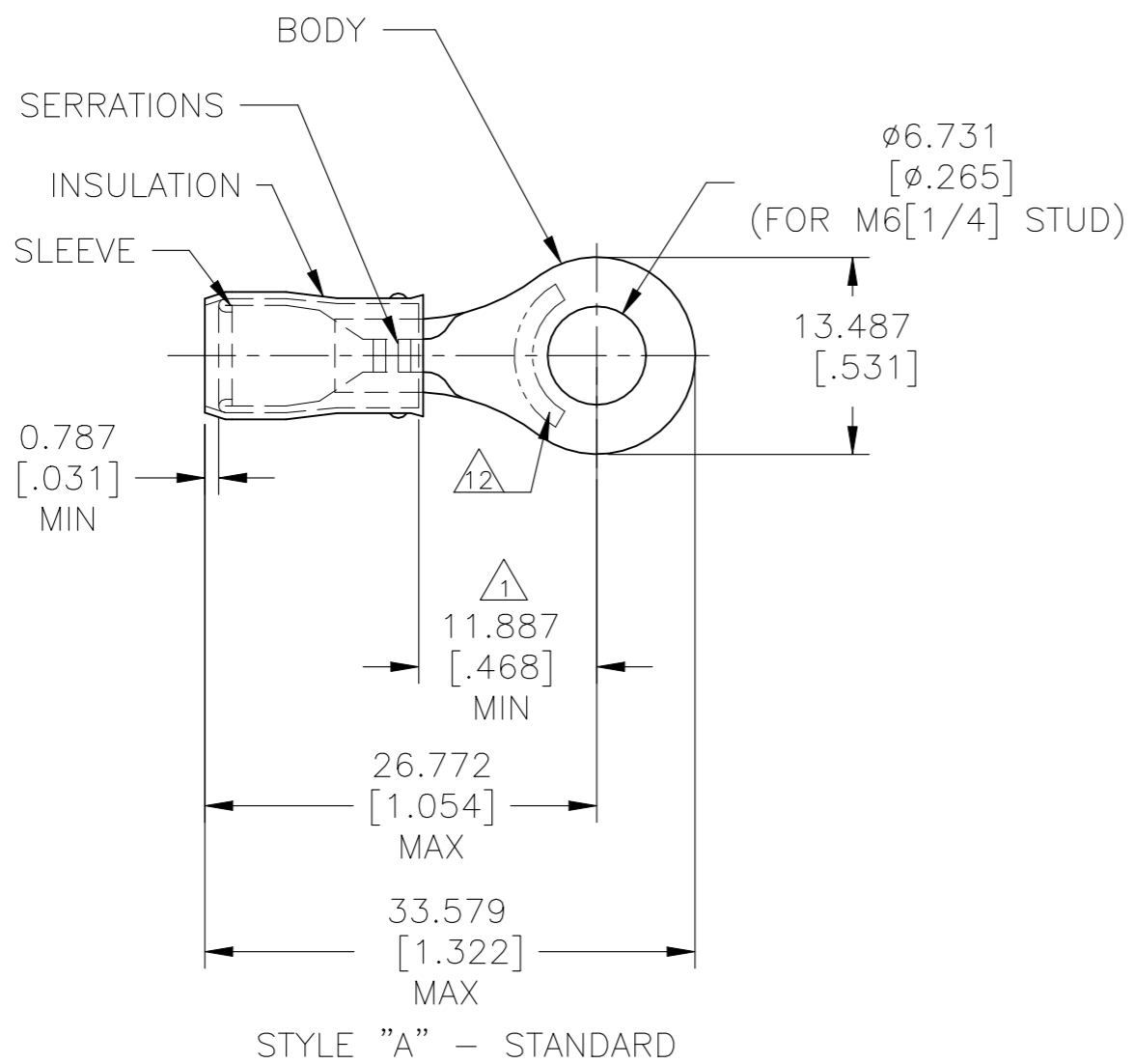


THIS DRAWING IS UNPUBLISHED. RELEASED FOR PUBLICATION
 © COPYRIGHT - By - ALL RIGHTS RESERVED.

REVISIONS				
P	LTR	DESCRIPTION	DATE	APVD
	U4	REVISED PER ECN-22-156403	06JUN2022	RK CSD



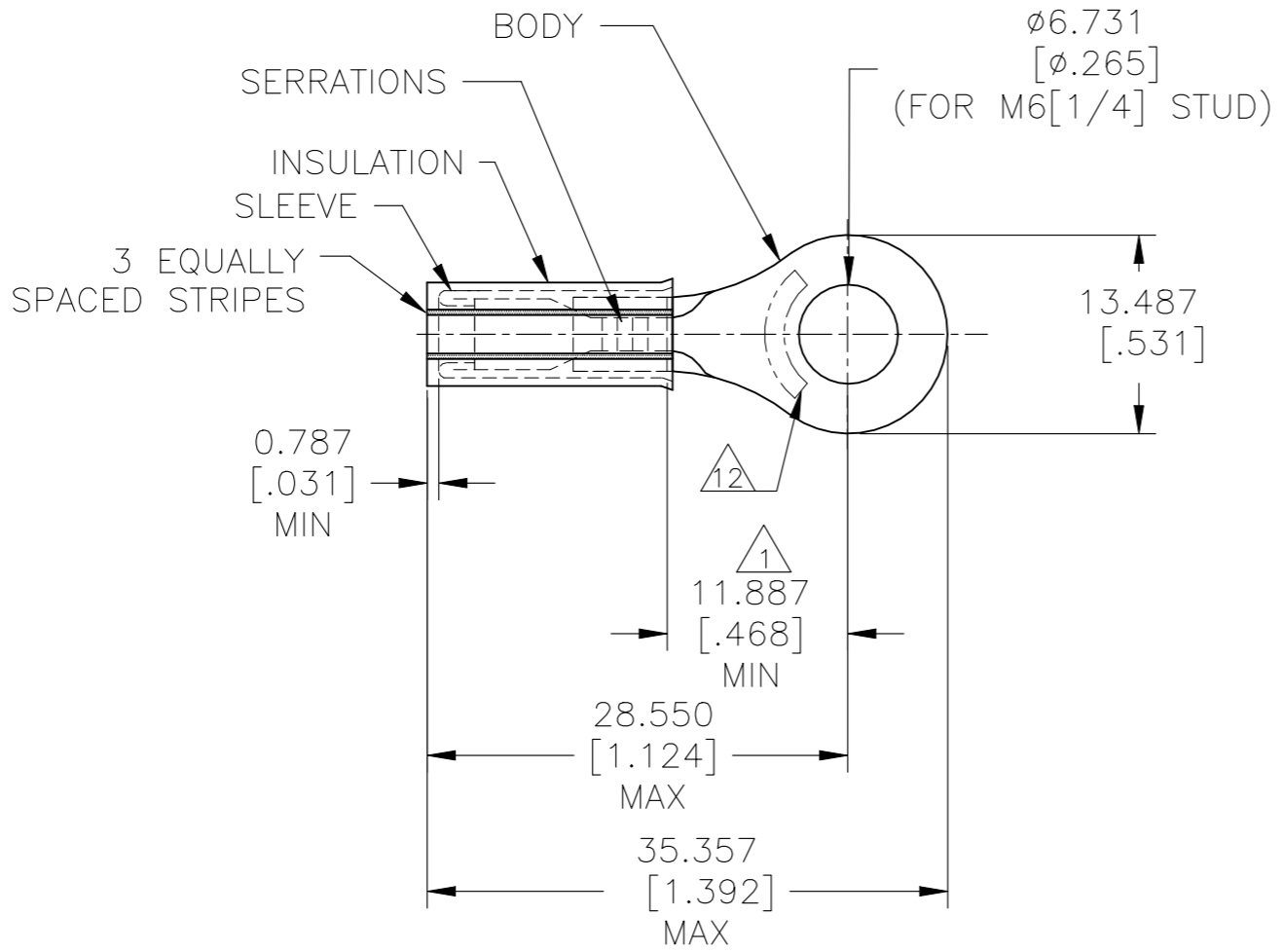
- 1 APPLIES FROM EDGE OF METAL WIRE BARREL TO CENTER OF STUD HOLE.
- 2 BODY MATERIAL THK 1.016±0.051 [.040±.002]
- 3 105°C[221°F] MAX OPERATING TEMPERATURE
- 4 300 VOLT MAX.
- 5 CIRCULAR MIN AREA: 2.62-6.64 mm² [5180-13100] SOLID OR STRANDED.
- 6 UL LISTED E13288 12-10 AWG STRANDED.
- 7 CSA CERTIFIED LR7189 12-10 AWG SOLID OR STRANDED.
- 8 MILITARY MS25036-157 CLASS 1.
- 9 NOTE DELETED
- 10 MATERIAL:
BODY & SLEEVE: COPPER PER ASTM B-152
INSULATION: NYLON PER ASTM D-4066, TYPE 1.
- 11 FINISH:
BODY & SLEEVE: TIN PLATE PER ASTM B-545
INSULATION: COLOR-YELLOW.
- 12 STAMP AMP SEE TABLE, APPROX AS SHOWN.

6 7	2500	NONE	12-10	3.810-5.842 [.150-.230]	12-10*	"A"	ON TAPE	2-320569-3
6 7	500	NONE	12-10	3.810-5.842 [.150-.230]	12-10*	"A"	LOOSE PIECE	8 320569
	QTY	COLOR STRIPE	WIRE SIZE	FOR WIRE INSULATION OD	STAMP	STYLE	PACKAGING	PART NO.

THIS DRAWING IS A CONTROLLED DOCUMENT.		DWN RAGHAVENDRA 08SEP2008	STE TE Connectivity	
DIMENSIONS: mm [INCHES]		CHK T MICHIELUTTI 08SEP2008		
TOLERANCES UNLESS OTHERWISE SPECIFIED:		APVD T MICHIELUTTI 08SEP2008	NAME	
0 PLC ± -		PRODUCT SPEC		
1 PLC ± -		UL 486 A-B 6		
2 PLC ± -		APPLICATION SPEC		
3 PLC ± 0.127[.005]		114-2157		
4 PLC ± -		WEIGHT		
ANGLES ± 0°30'		-		
FINISH		A3 00779 C-320569		
10		CUSTOMER DRAWING		
11		SCALE 2:1 SHEET 1 OF 2 REV U4		

THIS DRAWING IS UNPUBLISHED. RELEASED FOR PUBLICATION
 © COPYRIGHT - By - ALL RIGHTS RESERVED.

REVISIONS					
P	LTR	DESCRIPTION	DATE	DWN	APVD
-	-	SEE SHEET 1	-	-	-



STYLE "B" - INSULATION RESTRICTING

- 1 APPLIES FROM EDGE OF METAL WIRE BARREL TO CENTER OF STUD HOLE.
- 2 BODY MATERIAL THK 1.016±0.051 [.040±.002]
- 3 105°C[221°F] MAX OPERATING TEMPERATURE
- 4 300 VOLT MAX.
- 5 CIRCULAR MIN AREA: 2.62-6.64 mm² [5180-13100] SOLID OR STRANDED.
- 6 MILITARY M7928/1-59 CLASS 1.
- 7 MILITARY M7928/1-66 CLASS 1.
- 8 NOTE DELETED.
- 9 NOTE DELETED.
- 10 MATERIAL:
BODY & SLEEVE: COPPER PER ASTM B-152
INSULATION: NYLON PER ASTM D-4066, TYPE 1.
- 11 FINISH:
BODY: TIN PLATE PER ASTM B-545
SLEEVE: NICKEL PLATE PER QQ-N-290
INSULATION: COLOR-YELLOW.
- 12 STAMP AMP SEE TABLE, APPROX AS SHOWN.
- 13 CSA CERTIFIED STRANDED

13	500	BROWN	10	3.023-5.080 [.119-.200]	10*	"B"	LOOSE PIECE	7	2-320569-6
13	500	YELLOW	12	2.413-5.080 [.095-.200]	12*	"B"	LOOSE PIECE	6	2-320569-5
	QTY	COLOR STRIPE	WIRE SIZE	FOR WIRE INSULATION OD	STAMP	STYLE	PACKAGING		PART NO.

THIS DRAWING IS A CONTROLLED DOCUMENT.		DWN RAGHAVENDRA 08SEP2008	STE TE Connectivity	
DIMENSIONS: mm [INCHES]		CHK T MICHELUTTI 08SEP2008		
TOLERANCES UNLESS OTHERWISE SPECIFIED:		APVD T MICHELUTTI 08SEP2008	NAME	
0 PLC ± -		PRODUCT SPEC		
1 PLC ± -		APPLICATION SPEC		
2 PLC ± -		114-2157		
3 PLC ± 0.127[.005]		SIZE		
4 PLC ± -		CAGE CODE		
ANGLES ± 0°30'		DRAWING NO		
FINISH		RESTRICTED TO		
10		A3 00779 C-320569		
11		CUSTOMER DRAWING		
		SCALE 2:1		SHEET 2 OF 2
				REV U4