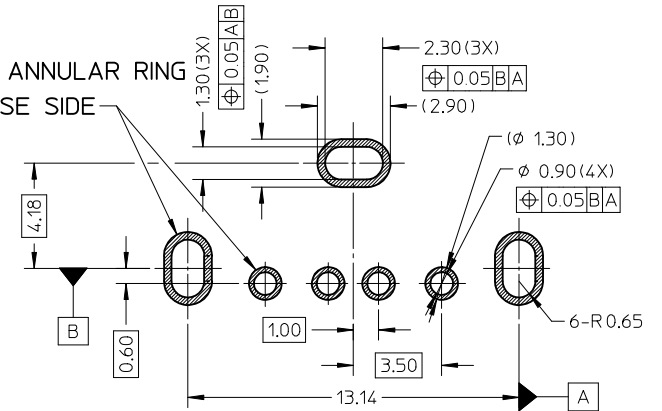


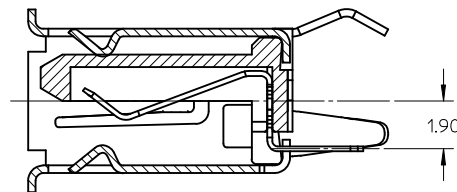
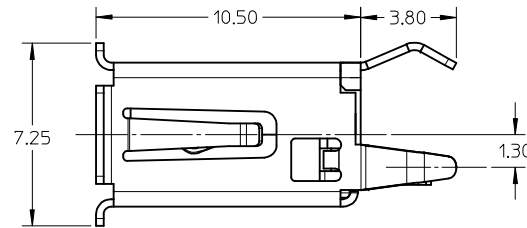
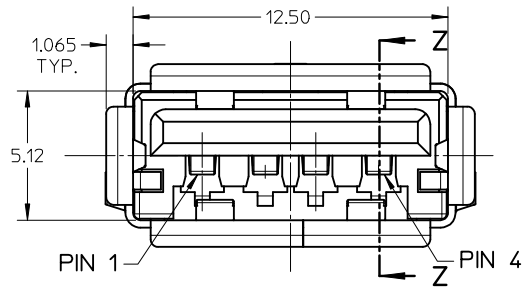
ONLY REQUESTED ANNULAR RING
ON THE REVERSE SIDE



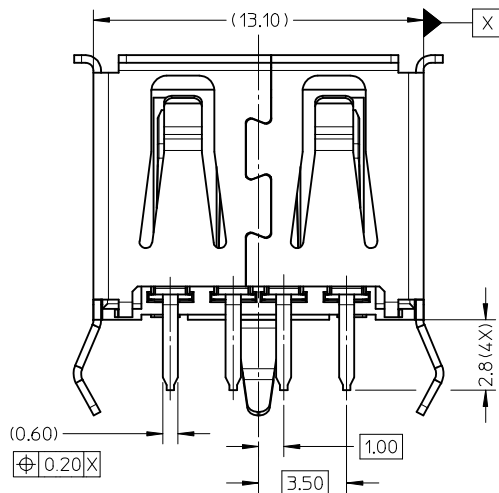
COMPONENT MOUNT SIDE
PWB THICKNESS 1.60MM
(DEFAULT TOLERANCE ±0.05MM)

NOTE :

- MATERIAL :
HOUSING : THERMOPLASTIC 30% GLASS FILLED , BLACK,UL94V-0
TERMINAL : COPPER ALLOY THICKNESS 0.20mm.
SHELL : STAINLESS STEEL THICKNESS 0.30mm.
- PLATING :
TERMINAL:
CONTACT AREA : GOLD 0.76 MICROMETER MIN.
SOLDERING AREA : MATTE TIN 3.8 MICROMETER MIN.
UNDERPLATING : NICKEL 1.27 MICROMETER MIN.
SHELL:
OVERALL SOLDERING NICKEL 1.27 MICROMETER MIN.
- PRODUCT CHARACTERS SPEC: PER PS-105057-001.
- PACKAGE INFORMATION: PER PK-105057-001.
- THE PART COMPLIANT TO RoHS DIRECTIVE 2002/95/EC AND ELV 2000/53/EC.



SECTION Z-Z



NEW RELEASE EC NO: SHZ009-0472 DRW:RZHANG 2009/01/20 CHKD: 2009/01/21 APPR:HWANG 2009/02/25	QUALITY SYMBOLS ▽=0 ◻=0	GENERAL TOLERANCES (UNLESS SPECIFIED)		DIMENSION STYLE MM ONLY		SCALE 5:1	DESIGN UNITS METRIC	THIRD ANGLE PROJECTION			
		4 PLACES ± --- ± ---	3 PLACES ± --- ± ---	DRAWN BY DAVID HU	DATE 2008/06/05	TITLE VERTICAL USB TYPE LEAD FREE					
		2 PLACES ± 0.25 ± ---	1 PLACE ± 0.25 ± ---	CHECKED BY ROST ZHANG	DATE 2008/06/05	MOLEX INCORPORATED					
		ANGULAR ± 3 °		APPROVED BY HARVEY	DATE 2008/06/05	MATERIAL NO. 1050570001	DOCUMENT NO. SD-105057-001	SHEET NO. 1 OF 1			
DRAFT WHERE APPLICABLE MUST REMAIN WITHIN DIMENSIONS		THIS DRAWING CONTAINS INFORMATION THAT IS PROPRIETARY TO MOLEX INCORPORATED AND SHOULD NOT BE USED WITHOUT WRITTEN PERMISSION									