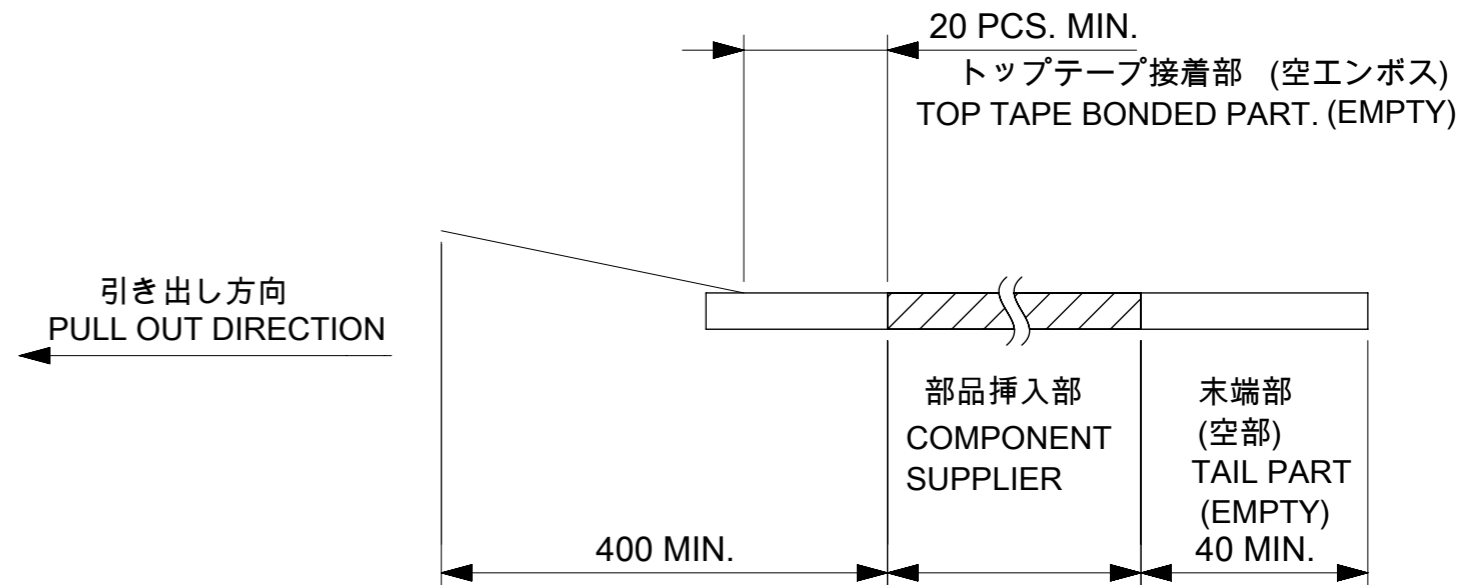


DETAIL "D"

NOTES

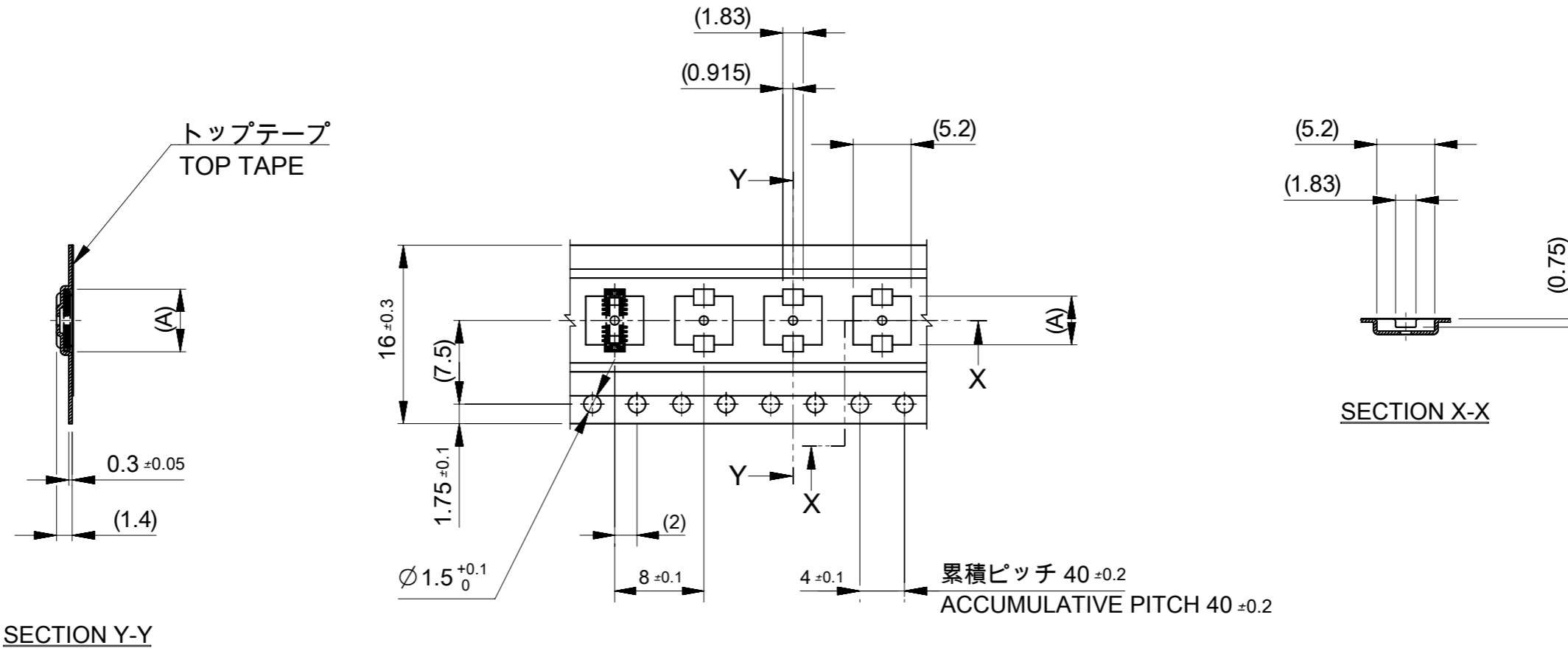
- 製品詳細寸法については製品単体図面を参照下さい。
FOR DETAILED DIMENSION, SEE PRODUCT DRAWING.
- 梱包数量：シート 2, 3, 4の表をご確認ください。
NUMBER OF CONNECTORS : SEE CHART ON SHEET 2, 3, 4
- リードテープ長さ LEAD TAPE LENGTH



- カバーテープの剥離強度については、IEC-60286-3に準拠
COVER TAPE PEEL FORCE IS DEFINED BY IEC-60286-3.
- 材料 MATERIAL
 キャリアテープ(CARRIER TAPE) : ポリスチレン(POLYSTYRENE)
 トップテープ(TOP TAPE) : PET , OTHER
 リール(REEL) : ポリスチレン(PS) (リサイクル材を含む)
 POLYSTYRENE (PS) (RECYCLE MATERIAL CONTAINED)

THIS DRAWING CONTAINS INFORMATION THAT IS PROPRIETARY TO MOLEX ELECTRONIC TECHNOLOGIES, LLC AND SHOULD NOT BE USED WITHOUT WRITTEN PERMISSION		CURRENT REV DESC: RELEASED		molex		
DIMENSION UNITS	SCALE					0.4 MM PITCH BOARD-TO-BOARD CONNECTOR HIGH RETENTION FORCE (HRF) 7S/7L PLUG ASSY EMBSTP PKG
mm	NTS			PRODUCT CUSTOMER DRAWING		
GENERAL TOLERANCES (UNLESS SPECIFIED)		EC NO: 635356		DOCUMENT NUMBER		
ANGULAR TOL	± 3.0 °	DRWN: KYHWANG 2020/03/04		5035520000-SD		
4 PLACES	± 0.03	CHK'D: HSHIMUYAMA 2020/04/13		DOC TYPE DOC PART REVISION		
3 PLACES	± 0.03	APPR: SHOSHIKAWA 2020/04/13		PSD 000 A		
2 PLACES	± 0.05	INITIAL REVISION:		SHEET NUMBER		
1 PLACE	± 0.1	DRWN: KYHWANG 2020/03/04		1 OF 4		
0 PLACES	± 0.2	APPR: SHOSHIKAWA 2020/04/13				
DRAFT WHERE APPLICABLE MUST REMAIN WITHIN DIMENSIONS		THIRD ANGLE PROJECTION	DRAWING	SERIES	MATERIAL NUMBER	CUSTOMER
			A3-SIZE	503552	SEE CHART	GENERAL

引き出し方向
PULL OUT DIRECTION



16	7000	21.4	17.4	5.21	5035521822	18
				4.81	5035521622	16
				4.41	5035521422	14
				4.01	5035521222	12
				3.61	5035521022	10
				2.81	5035520622	6
キャリアテープ幅 CARRIER TAPE WIDTH	NUMBER OF CONNECTORS [PCS/REEL]	C	B	(A)	ORDER No.	CKT.

THIS DRAWING CONTAINS INFORMATION THAT IS PROPRIETARY TO MOLEX ELECTRONIC TECHNOLOGIES, LLC AND SHOULD NOT BE USED WITHOUT WRITTEN PERMISSION

DIMENSION UNITS: mm SCALE: NTS

GENERAL TOLERANCES (UNLESS SPECIFIED):
 ANGULAR TOL ± 3.0 °
 4 PLACES ± 0.03
 3 PLACES ± 0.03
 2 PLACES ± 0.05
 1 PLACE ± 0.1
 0 PLACES ± 0.2

EC NO: 635356
 DRWN: KYHWANG 2020/03/04
 CHK'D: HSHIMOYAMA 2020/04/13
 APPR: SHOSHIKAWA 2020/04/13

INITIAL REVISION:
 DRWN: KYHWANG 2020/03/04
 APPR: SHOSHIKAWA 2020/04/13

THIRD ANGLE PROJECTION

DRAWING: A3-SIZE SERIES: 503552 MATERIAL NUMBER: SEE CHART CUSTOMER: GENERAL SHEET NUMBER: 2 OF 4

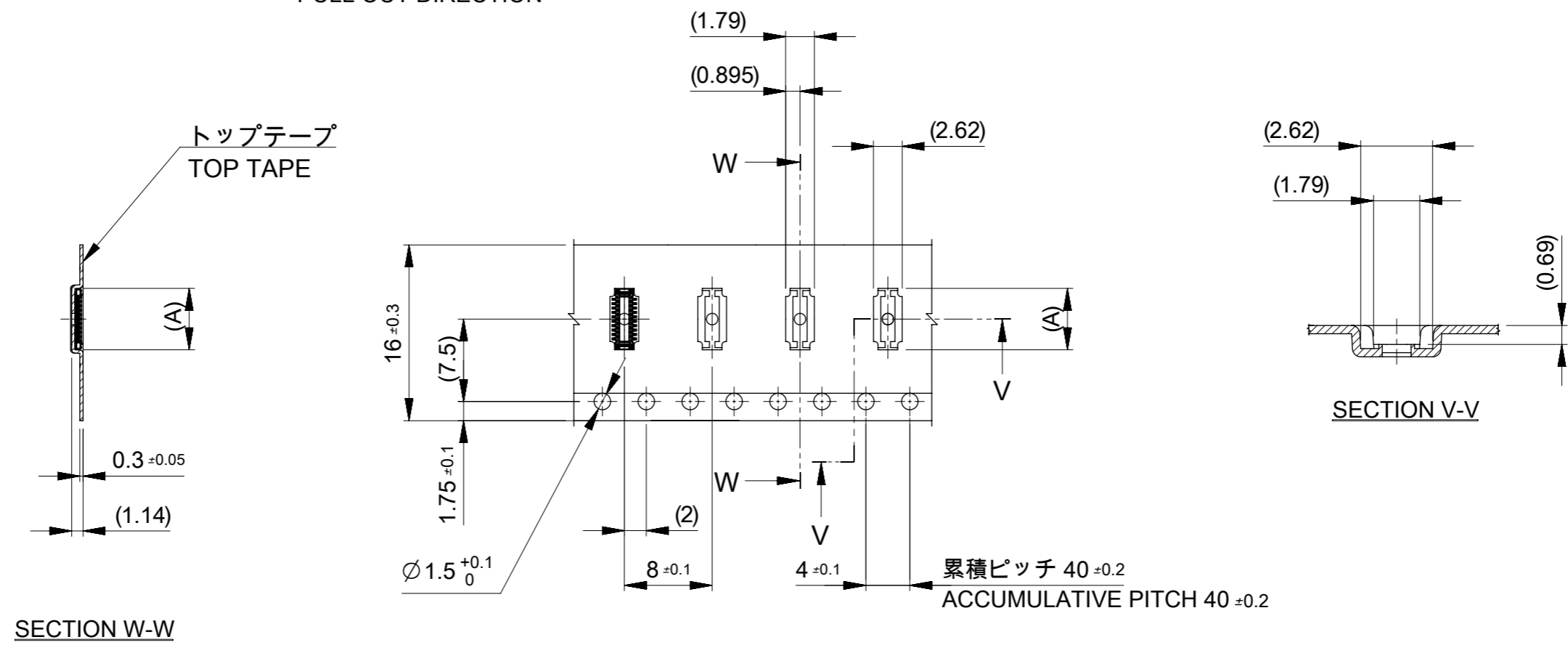
molex

0.4 MM PITCH BOARD-TO-BOARD CONNECTOR
 HIGH RETENTION FORCE (HRF) 7S/7L
 PLUG ASSY EMBSTP PKG

PRODUCT CUSTOMER DRAWING

DOCUMENT NUMBER: 5035520000-SD DOC TYPE: PSD DOC PART: 000 REVISION: A

引き出し方向
PULL OUT DIRECTION



16 mm 幅キャリアテープ
16 mm WIDTH CARRIER TAPE

16	9000	21.4	17.4	6.79	5033082652	26
				6.39	5033082452	24
				5.59	5033082052	20
キャリアテープ幅 CARRIER TAPE WIDTH	NUMBER OF CONNECTORS [PCS/REEL]	C	B	(A)	ORDER No.	CKT.

THIS DRAWING CONTAINS INFORMATION THAT IS PROPRIETARY TO MOLEX ELECTRONIC TECHNOLOGIES, LLC AND SHOULD NOT BE USED WITHOUT WRITTEN PERMISSION

CURRENT REV DESC: RELEASED

molex

0.4 MM PITCH BOARD-TO-BOARD CONNECTOR
HIGH RETENTION FORCE (HRF) 7S/7L
PLUG ASSY EMBSTP PKG

PRODUCT CUSTOMER DRAWING

EC NO: 635356
DRWN: KYHWANG 2020/03/04
CHK'D: HSHIMOYAMA 2020/04/13
APPR: SHOSHIKAWA 2020/04/13

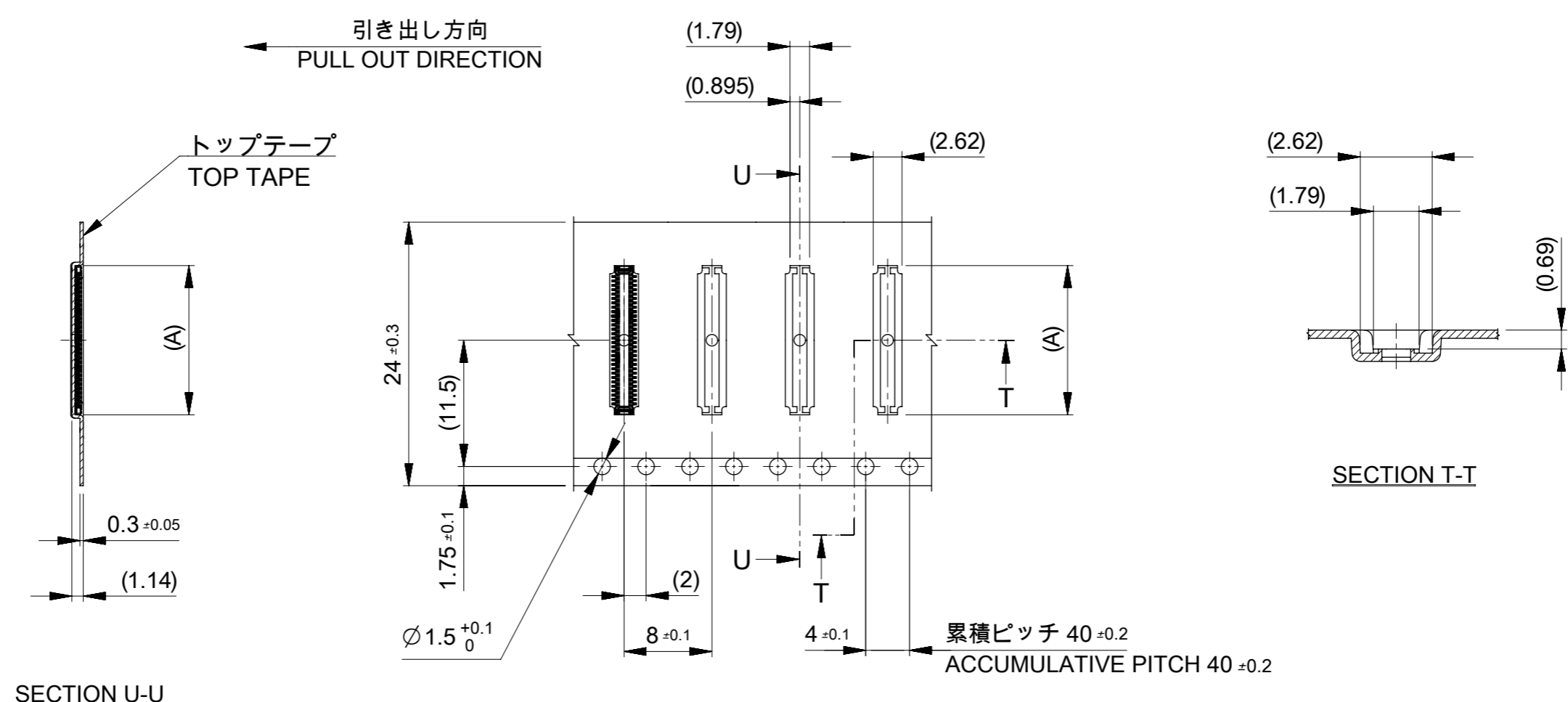
INITIAL REVISION:
DRWN: KYHWANG 2020/03/04
APPR: SHOSHIKAWA 2020/04/13

DOCUMENT NUMBER: 5035520000-SD
DOC TYPE: PSD
DOC PART: 000
REVISION: A

DRAFT WHERE APPLICABLE MUST REMAIN WITHIN DIMENSIONS

THIRD ANGLE PROJECTION

DRAWING: A3-SIZE
SERIES: 503552
MATERIAL NUMBER: SEE CHART
CUSTOMER: GENERAL
SHEET NUMBER: 3 OF 4



24 mm 幅キャリアテープ
24 mm WIDTH CARRIER TAPE

24	9000	29.4	25.4	13.59	5033086012	60
				11.59	5033085052	50
				10.39	5033084452	44
				9.99	5033084252	42
				9.59	5033084052	40
				7.59	5033083053	30
キャリアテープ幅 CARRIER TAPE WIDTH	NUMBER OF CONNECTORS [PCS/REEL]	C	B	(A)	ORDER No.	CKT.

THIS DRAWING CONTAINS INFORMATION THAT IS PROPRIETARY TO MOLEX ELECTRONIC TECHNOLOGIES, LLC AND SHOULD NOT BE USED WITHOUT WRITTEN PERMISSION

DIMENSION UNITS: mm SCALE: NTS

GENERAL TOLERANCES (UNLESS SPECIFIED):

ANGULAR TOL	± 3.0 °
4 PLACES	± 0.03
3 PLACES	± 0.03
2 PLACES	± 0.05
1 PLACE	± 0.1
0 PLACES	± 0.2

EC NO: 635356
DRWN: KYHWANG 2020/03/04
CHK'D: HSHIMOYAMA 2020/04/13
APPR: SHOSHIKAWA 2020/04/13

INITIAL REVISION:
DRWN: KYHWANG 2020/03/04
APPR: SHOSHIKAWA 2020/04/13

DOCUMENT NUMBER: 5035520000-SD
DOC TYPE: PSD
DOC PART: 000
REVISION: A

PRODUCT CUSTOMER DRAWING

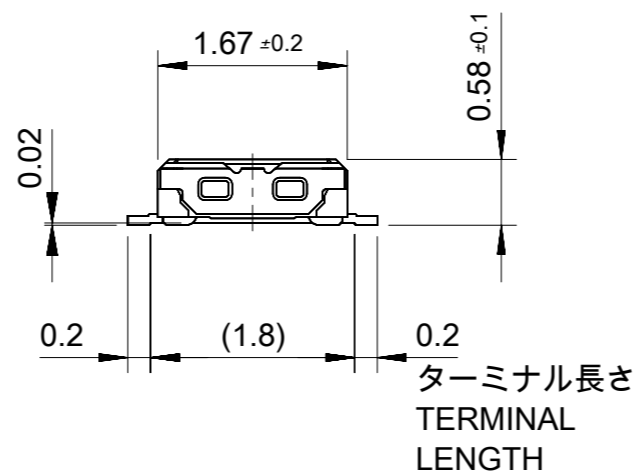
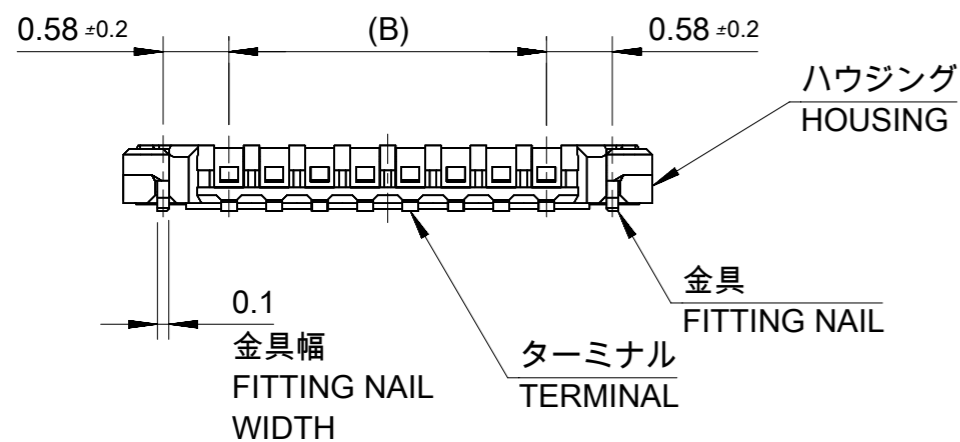
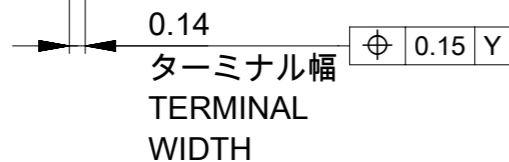
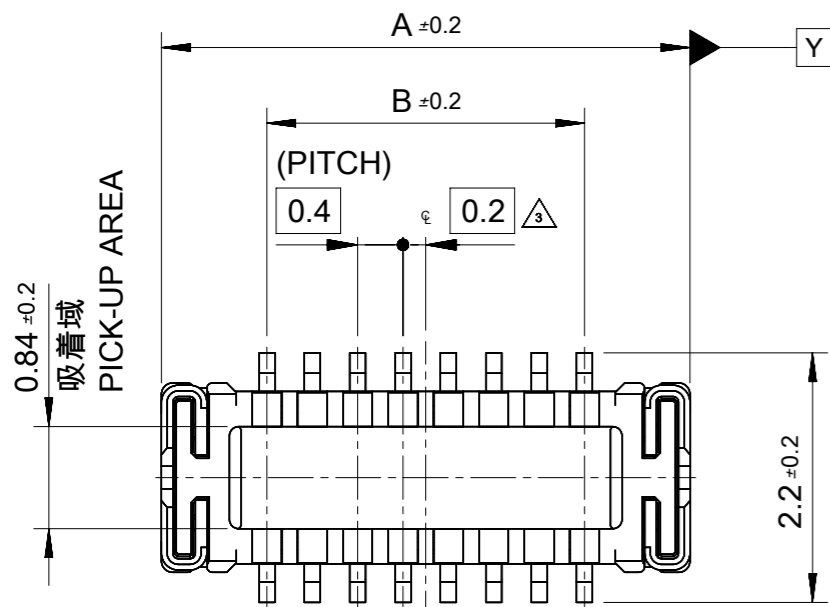
0.4 MM PITCH BOARD-TO-BOARD CONNECTOR
HIGH RETENTION FORCE (HRF) 7S/7L
PLUG ASSY EMBSTP PKG

DRAFT WHERE APPLICABLE MUST REMAIN WITHIN DIMENSIONS

THIRD ANGLE PROJECTION

DRAWING: A3-SIZE
SERIES: 503552
MATERIAL NUMBER: SEE CHART
CUSTOMER: GENERAL
SHEET NUMBER: 4 OF 4

503552-**22 6 ~ 18 CKT.



注記 NOTES

1. 使用材料 MATERIAL

ハウジング : 液晶ポリマー(LCP) UL94V-0 (黒)
 HOUSING : LIQUID CRYSTAL POLYMER, UL94V-0 (COLOR : BLACK)
 ターミナル : 銅合金
 TERMINAL : COPPER ALLOY
 金具 : 銅合金
 FITTING NAIL : COPPER ALLOY

2. メッキ仕様 PLATING

ターミナル TERMINAL
 コンタクト部 : 金メッキ (0.1µm以上)
 CONTACT AREA : GOLD (0.1µm MINIMUM)
 テール部 : 金メッキ
 SOLDER TAIL AREA : GOLD
 下地メッキ : ニッケルメッキ (1.0µm以上)
 UNDER PLATING : NICKEL (1.0µm MINIMUM)

※ コンタクト部とテール部の基板接触面には金メッキを施しています。それ以外の個所には金メッキもしくはニッケルメッキが露出し、外観上、色調が異なる場合がありますが、性能には影響ありません。但し、コンタクト部とテール部の間にはニッケルメッキで金メッキを分断している個所があります。
 THE CONTACT PART AND SOLDER TAIL SURFACE OF TERMINAL WHICH CONTACTS PAD OF PWB ARE PLATED WITH GOLD. THE OTHER SURFACES ARE PLATED WITH GOLD OR NICKEL UNDERPLATING EXCEPT CUTOFF. THE GOLD PLATING IS DIVIDED INTO TWO SECTIONS BY NICKEL, WHICH ARE CONTACT AND SOLDER TAIL PARTS. IT IS NO PROBLEM IN THE PERFORMANCE ALTHOUGH THOSE MAY SEEM DIFFERENT COLOR TONE.

金具 FITTING NAIL

金メッキ (テール部のみ)
 GOLD (ONLY TAIL PART)
 下地メッキ : ニッケルメッキ
 UNDER PLATING : NICKEL

△3 (全極数/2)=偶数の場合に適用。

APPLY FOR (CIRCUIT/2)=EVEN.

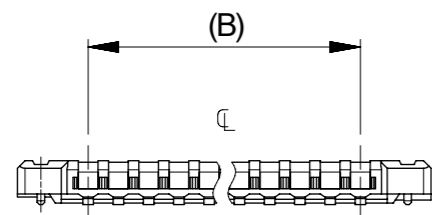
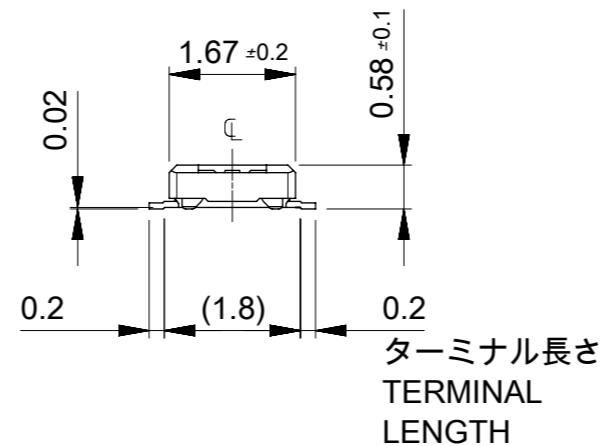
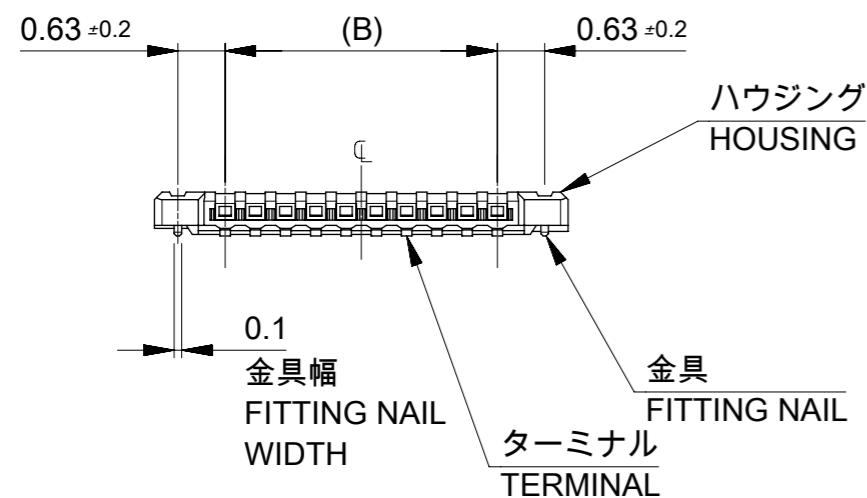
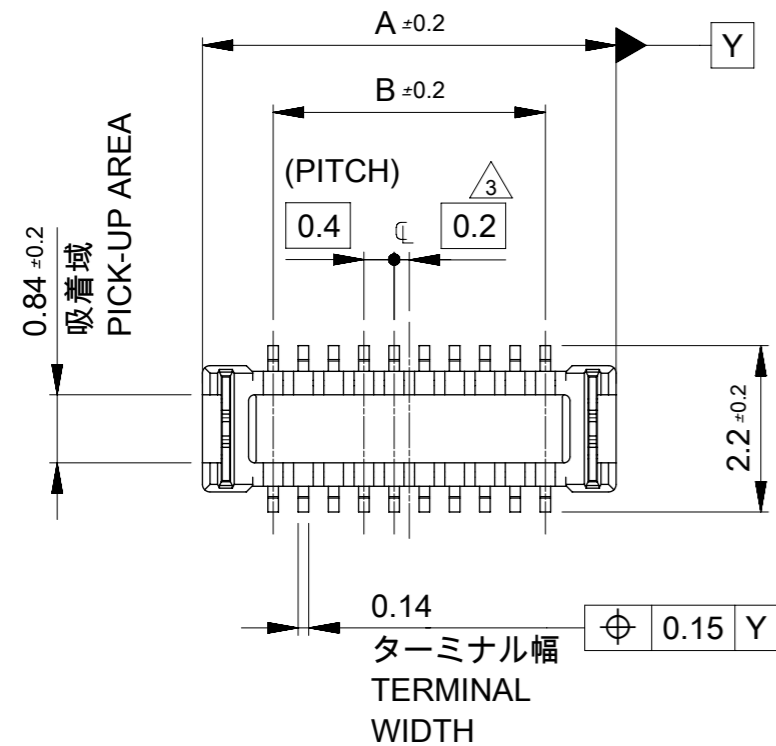
- 嵌合相手 : 503548シリーズ
MATE WITH : 503548 SERIES.
- テール平坦度は、0.08以下、テール及び金具の平坦度は、0.1以下。
TAIL COPLANARITY TO BE 0.08 MAXIMUM.
TAIL AND FITTING NAIL COPLANARITY TO BE 0.1 MAXIMUM.
- 本0.4 mm ピッチ BOARD-TO-BOARD CONNECTOR HRF 7S/7L シリーズは 503304 / 503308と503548 / 503552シリーズを統合した製品群です
THIS PRODUCT FAMILY, 0.4 MM PITCH BOARD-TO-BOARD CONNECTOR HRF 7S/7L, IS WHAT 503304 AND 503548 SERIES WERE UNIFIED.

11.6	13.47	5033086012	60
9.6	11.47	↑ 5052	50
8.4	10.27	4452	44
8.0	9.87	4252	42
7.6	9.47	4052	40
5.6	7.47	3053	30
4.8	6.67	2652	26
4.4	6.27	↓ 2452	24
3.6	5.47	5033082052	20
3.2	5.06	5035521822	18
2.8	4.66	↑ 1622	16
2.4	4.26	1422	14
2.0	3.86	1222	12
1.6	3.46	↓ 1022	10
0.8	2.66	5035520622	6
B	A	EMBOSSED PACKAGE	極数
		オーダー番号 ORDER No.	CIRCUITS

THIS DRAWING CONTAINS INFORMATION THAT IS PROPRIETARY TO MOLEX ELECTRONIC TECHNOLOGIES, LLC AND SHOULD NOT BE USED WITHOUT WRITTEN PERMISSION

DIMENSION UNITS	SCALE	CURRENT REV DESC: RELEASED		molex			
mm	NTS						
GENERAL TOLERANCES (UNLESS SPECIFIED)				0.4 MM PITCH BOARD-TO-BOARD CONNECTOR HIGH RETENTION FORCE (HRF) 7S/7L PLUG ASSY			
ANGULAR TOL	± 3.0 °	EC NO: 635356		PRODUCT CUSTOMER DRAWING			
4 PLACES	± 0.03	DRWN: KYHWANG	2020/03/04	DOCUMENT NUMBER			
3 PLACES	± 0.03	CHK'D: HSHIMYOYAMA	2020/04/13	DOC TYPE			
2 PLACES	± 0.05	APPR: SHOSHIKAWA	2020/04/13	DOC PART			
1 PLACE	± 0.1	INITIAL REVISION:		REVISION			
0 PLACES	± 0.2	DRWN: KYHWANG	2020/03/04	5035521000-SD			
DRAFT WHERE APPLICABLE MUST REMAIN WITHIN DIMENSIONS		APPR: SHOSHIKAWA	2020/04/13	MATERIAL NUMBER		CUSTOMER	
THIRD ANGLE PROJECTION		DRAWING	SERIES	SEE CHART		GENERAL	
A3-SIZE		503552	SHEET NUMBER		1 OF 3		

503308-**52 / -3053 / -6012, 20 ~ 60 CKT.

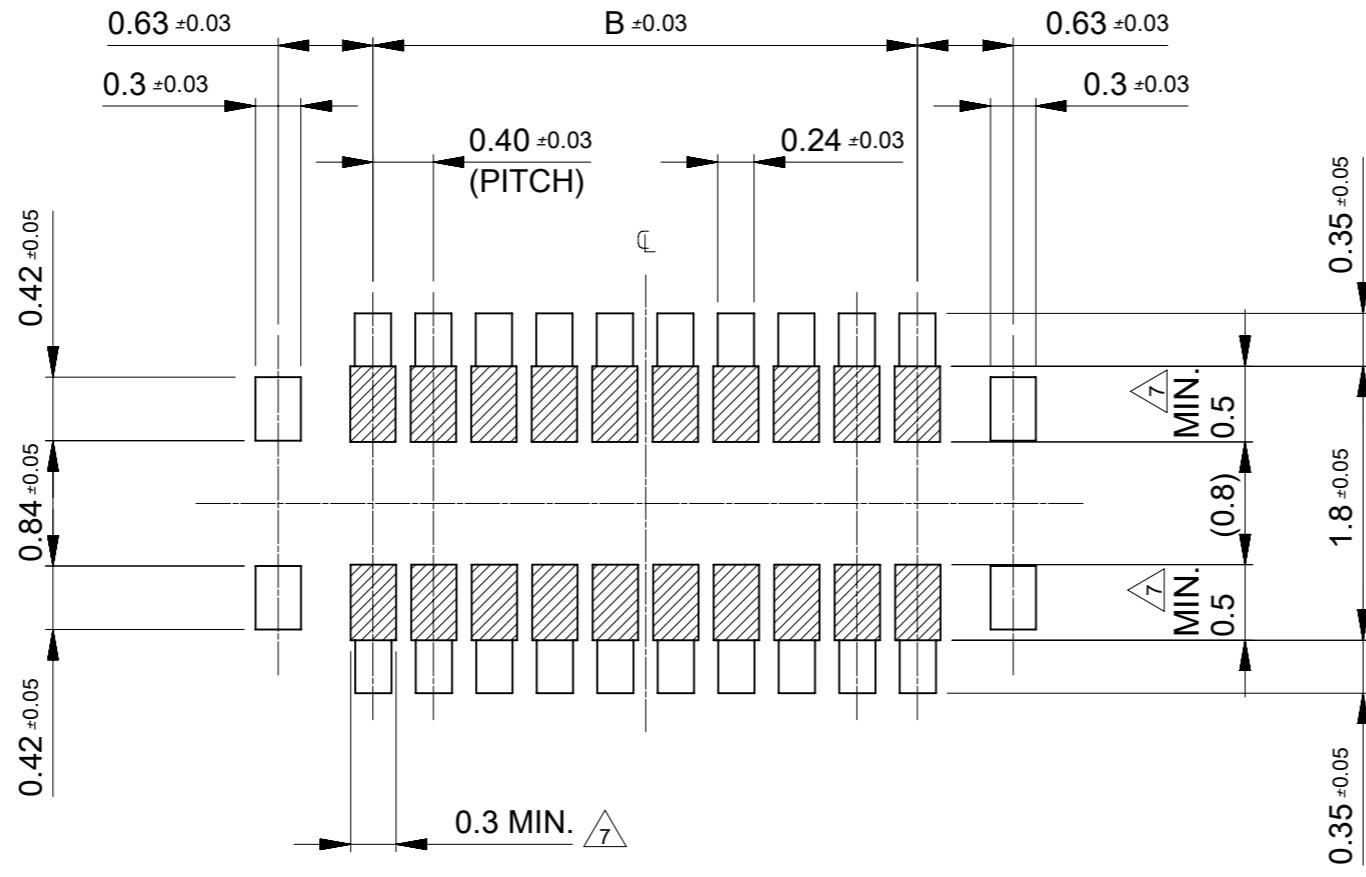


503308-6012 ONLY

注記 NOTES

- 使用材料 MATERIAL
ハウジング：液晶ポリマー(LCP) UL94V-0 (黒)
HOUSING : LIQUID CRYSTAL POLYMER, UL94V-0 (COLOR : BLACK)
ターミナル：銅合金
TERMINAL : COPPER ALLOY
金具：銅合金
FITTING NAIL : COPPER ALLOY
 - メッキ仕様 PLATING
ターミナル TERMINAL
コンタクト部：金メッキ (0.1µm以上)
CONTACT AREA : GOLD (0.1µm MINIMUM)
テール部：金メッキ
SOLDER TAIL AREA : GOLD
下地メッキ：ニッケルメッキ (1.0µm以上)
UNDER PLATING : NICKEL (1.0µm MINIMUM)
※ コンタクト部とテール部の基板接触面には金メッキを施しています。それ以外の個所には金メッキもしくはニッケルメッキが露出し、外観上、色調が異なる場合がありますが、性能には影響ありません。但し、コンタクト部とテール部の間にはニッケルメッキで金メッキを分断している個所があります。
THE CONTACT PART AND SOLDER TAIL SURFACE OF TERMINAL WHICH CONTACTS PAD OF PWB ARE PLATED WITH GOLD.
THE OTHER SURFACES ARE PLATED WITH GOLD OR NICKEL UNDERPLATING EXCEPT CUTOFF.
THE GOLD PLATING IS DIVIDED INTO TWO SECTIONS BY NICKEL, WHICH ARE CONTACT AND SOLDER TAIL PARTS.
IT IS NO PROBLEM IN THE PERFORMANCE ALTHOUGH THOSE MAY SEEM DIFFERENT COLOR TONE.
- 金具 FITTING NAIL
錫メッキ
TIN PLATING
下地メッキ：ニッケルメッキ
UNDER PLATING : NICKEL
- △3 (全極数/2)=偶数の場合に適用。
APPLY FOR (CIRCUIT/2)=EVEN.
- 嵌合相手：503304シリーズ
MATE WITH : 503304 SERIES.
 - テール平坦度は、0.08以下、テール及び金具の平坦度は、0.1以下。
TAIL COPLANARITY TO BE 0.08 MAXIMUM.
TAIL AND FITTING NAIL COPLANARITY TO BE 0.1 MAXIMUM.
 - 本0.4 mm ピッチ BOARD-TO-BOARD CONNECTOR HRF 7S/7L シリーズは503304 / 503308と503548 / 503552シリーズを統合した製品群です
THIS PRODUCT FAMILY, 0.4 MM PITCH BOARD-TO-BOARD CONNECTOR HRF 7S/7L, IS WHAT 503304 AND 503548 SERIES WERE UNIFIED.

THIS DRAWING CONTAINS INFORMATION THAT IS PROPRIETARY TO MOLEX ELECTRONIC TECHNOLOGIES, LLC AND SHOULD NOT BE USED WITHOUT WRITTEN PERMISSION		CURRENT REV DESC: RELEASED		molex	
DIMENSION UNITS	SCALE				
mm	NTS				
GENERAL TOLERANCES (UNLESS SPECIFIED)					
ANGULAR TOL	± 3.0 °				
4 PLACES	± 0.03	EC NO: 635356			
3 PLACES	± 0.03	DRWN: KYHWANG	2020/03/04		
2 PLACES	± 0.05	CHK'D: HSHIMOYAMA	2020/04/13		
1 PLACE	± 0.1	APPR: SHOSHIKAWA	2020/04/13		
0 PLACES	± 0.2	INITIAL REVISION:		DOCUMENT NUMBER	
DRAFT WHERE APPLICABLE MUST REMAIN WITHIN DIMENSIONS		THIRD ANGLE PROJECTION		5035521000-SD	
		DRAWING		DOC TYPE	DOC PART
		A3-SIZE		PSD	000
		SERIES		REVISION	A
		503552			
		MATERIAL NUMBER		SHEET NUMBER	
		SEE CHART		2 OF 3	
		CUSTOMER			
		GENERAL			



推奨基板レイアウト
RECOMMENDED P.W. BOARD PATTERN LAYOUT

△7 パターン引き回し、および半田禁止エリア
 (当該箇所においては、これと接触する回路以外の配線を禁止する。
 また、接する回路を配線する場合はレジストを施し、
 この部分に半田は無い事)
 PROHIBITED AREA OF PATTERN WIRING AND SOLDER.
 (IT IS NOT ALLOWED FOR EACH THE AREA TO BE SOLDERED AND
 CONTACT THE OTHER WIRINGS WITHOUT ITSELF ONE.
 IF THEY CONTACTED, RESIST TREATMENT SHOULD BE REQUIRED
 ON IT IN ORDER NOT TO CONTACT EACH OTHER.)

参考メタルマスク開口率 : 100%
 REFERENCE SCREEN OPEN RATIO : 100%

参考メタルマスク厚さ
 REFERENCE SCREEN THICKNESS
 503552-**22 : t=0.08 mm
 503308-**** : t=0.1 mm

THIS DRAWING CONTAINS INFORMATION THAT IS PROPRIETARY TO MOLEX ELECTRONIC TECHNOLOGIES, LLC AND SHOULD NOT BE USED WITHOUT WRITTEN PERMISSION											
DIMENSION UNITS		SCALE		CURRENT REV DESC: RELEASED				molex		0.4 MM PITCH BOARD-TO-BOARD CONNECTOR HIGH RETENTION FORCE (HRF) 7S/7L PLUG ASSY	
mm		NTS									
GENERAL TOLERANCES (UNLESS SPECIFIED)											
ANGULAR TOL ± 3.0 °											
4 PLACES		± 0.03		EC NO: 635356		2020/03/04		PRODUCT CUSTOMER DRAWING			
3 PLACES		± 0.03		DRWN: KYHWANG		2020/04/13					
2 PLACES		± 0.05		CHK'D: HSHIMOYAMA		2020/04/13		DOCUMENT NUMBER			
1 PLACE		± 0.1		APPR: SHOSHIKAWA		2020/04/13					
0 PLACES		± 0.2		INITIAL REVISION:				DOC TYPE			
				DRWN: KYHWANG		2020/03/04		DOC PART			
				APPR: SHOSHIKAWA		2020/04/13		REVISION			
DRAFT WHERE APPLICABLE MUST REMAIN WITHIN DIMENSIONS		THIRD ANGLE PROJECTION		DRAWING		SERIES		MATERIAL NUMBER			
				A3-SIZE		503552		CUSTOMER			
								5035521000-SD			
								SEE CHART			
								GENERAL			
								3 OF 3			