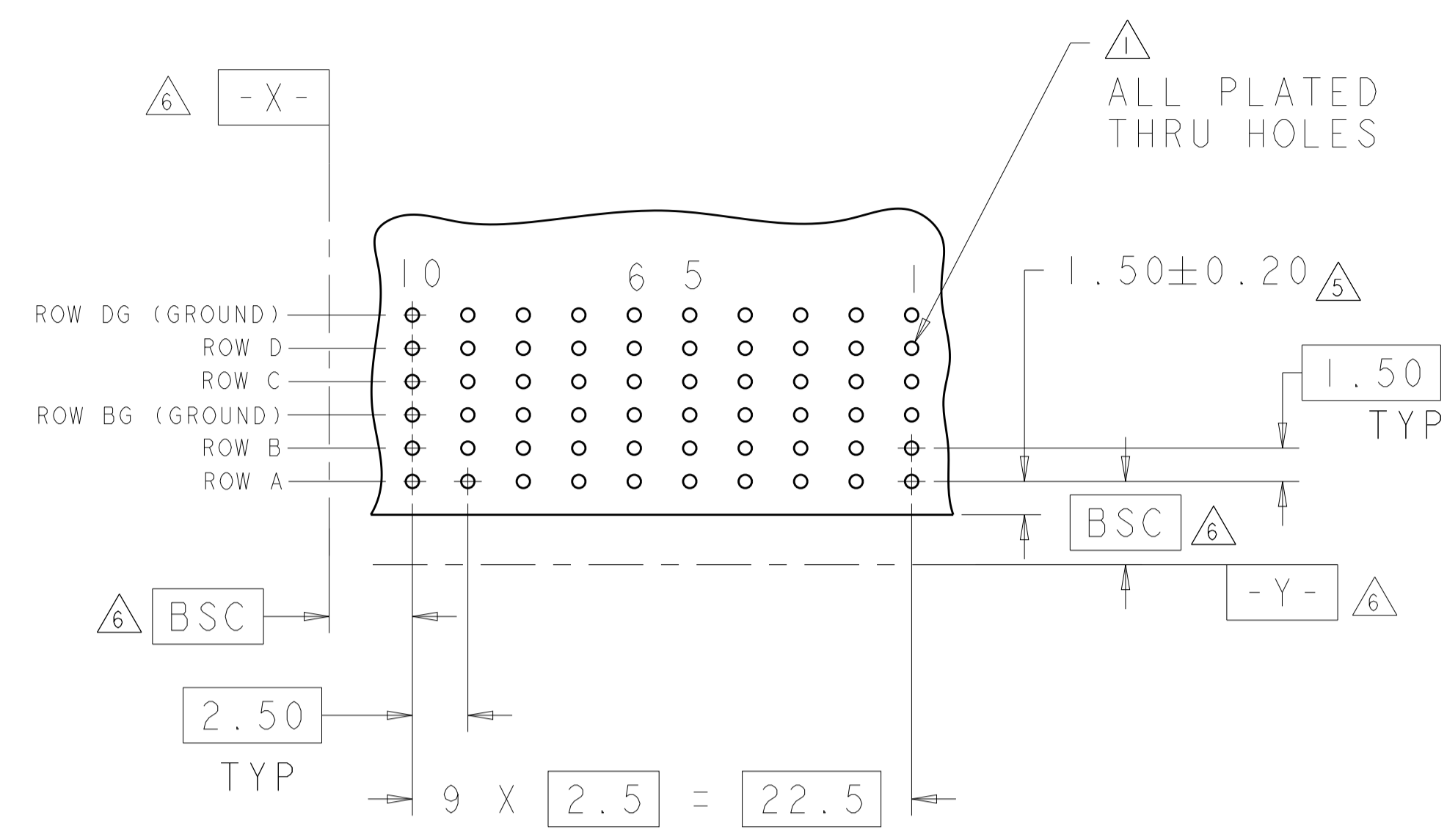
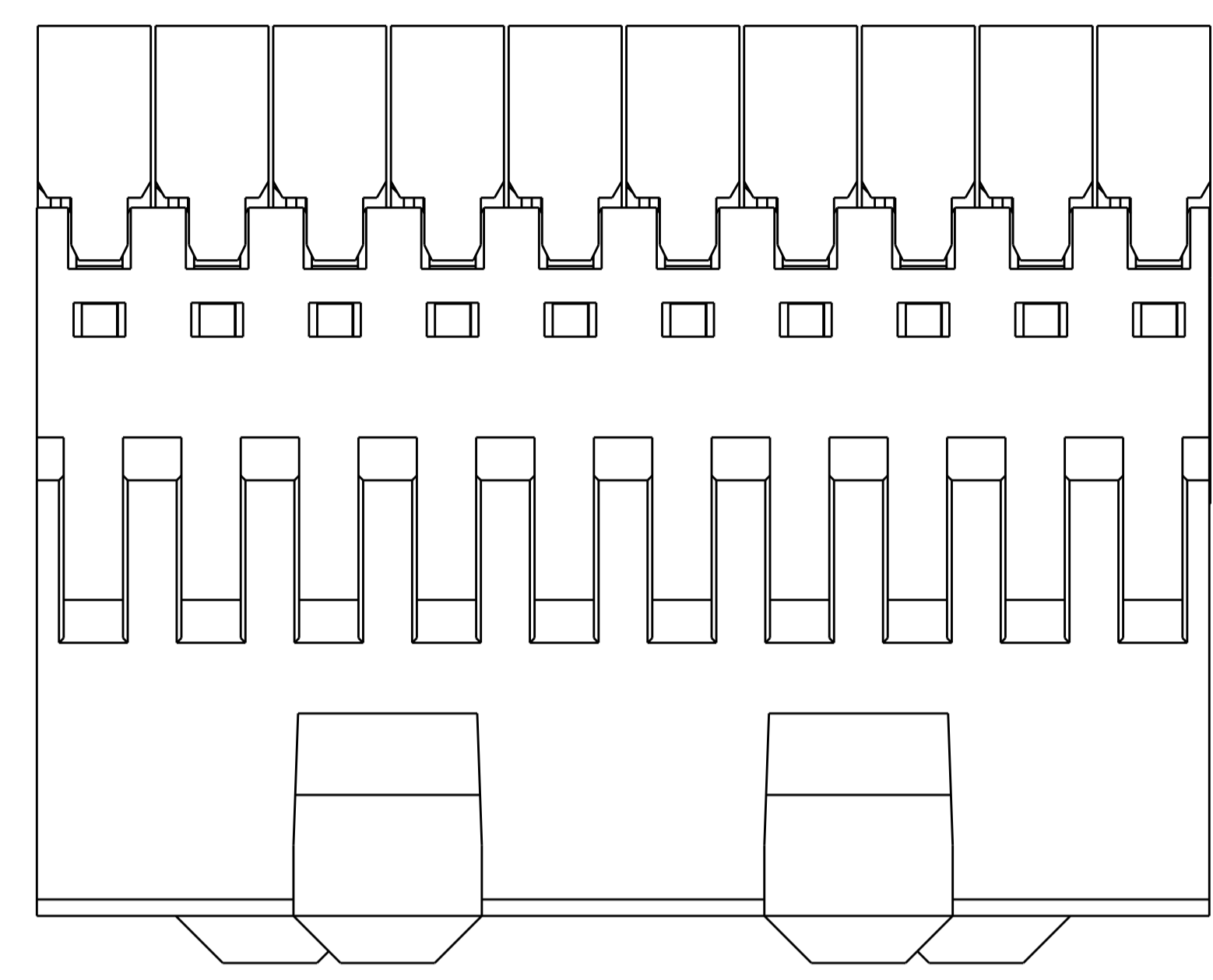
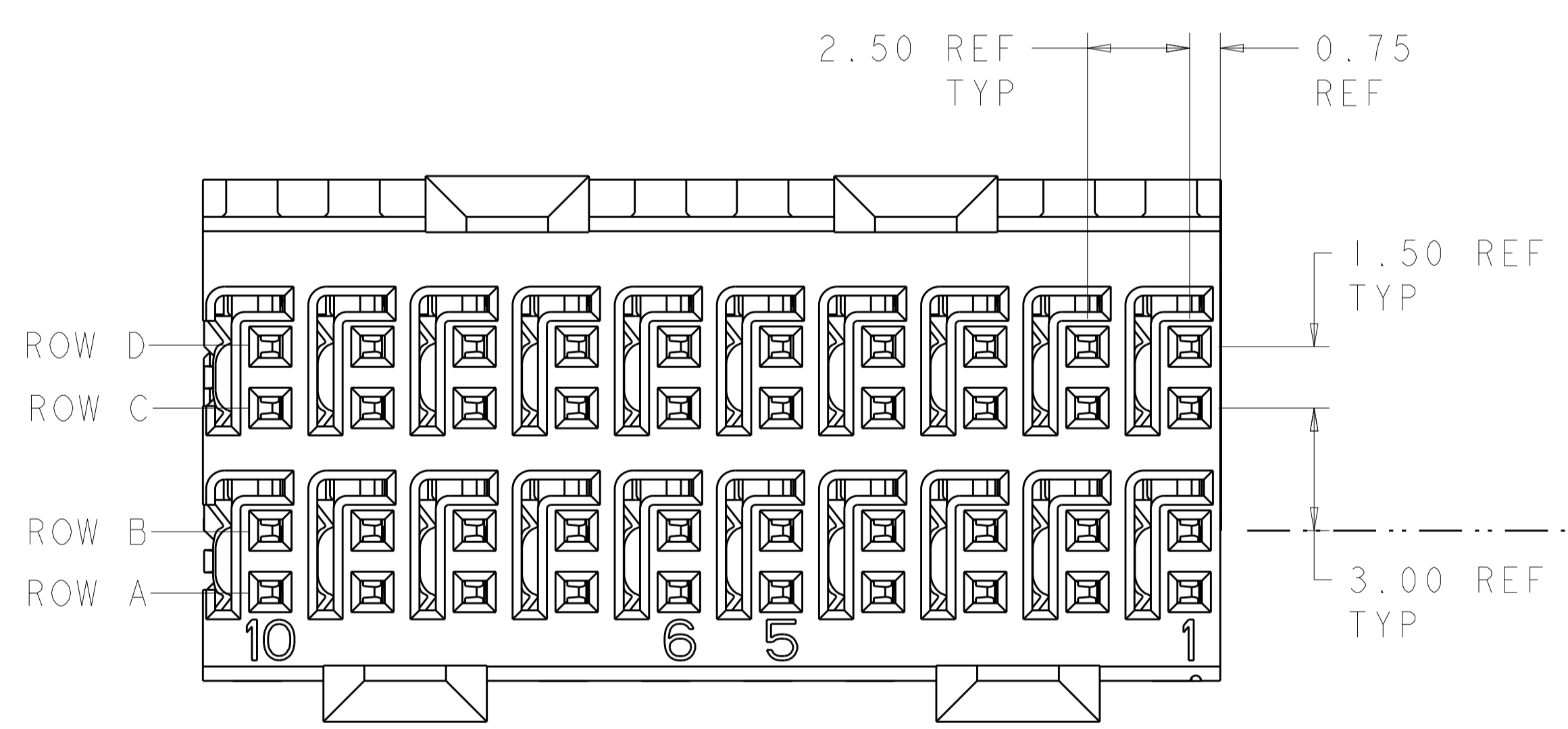


REVISIONS				
P.	LTN	DESCRIPTION	DATE	APV
E		REVISED PER ECO-14-005095	11APR2014	AP RP
F		REVISED PER ECO-16-008845	24SEP2016	AP RP

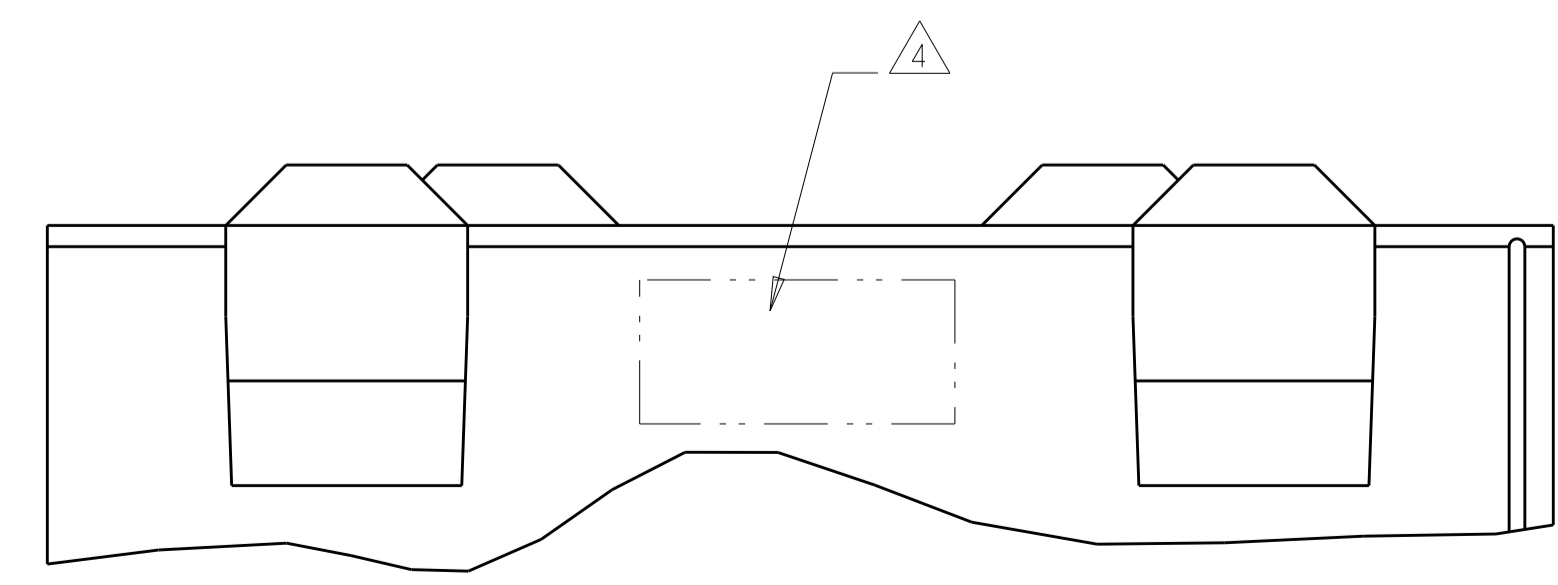
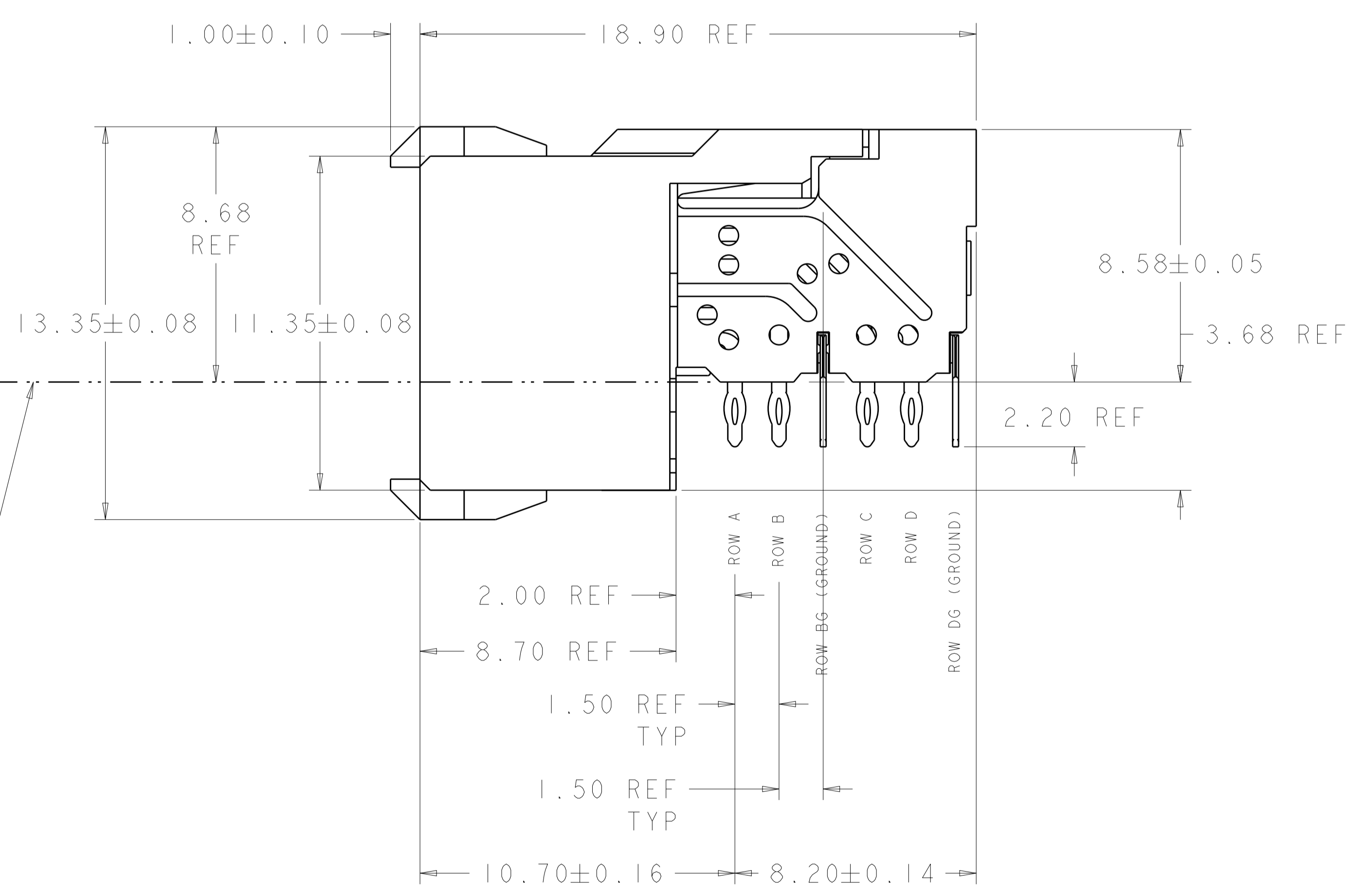


RECOMMENDED PC BOARD LAYOUT,  
 DAUGHTER BOARD,  
 COMPONENT SIDE SHOWN  
 SCALE 4:1

- △ REFERENCE APPLICATION SPEC 114-13059 FOR RECOMMENDED PLATED THRU HOLE DIAMETER AND PLATING THICKNESSES.
- △ MATERIAL:  
 SHIELD - PHOSPHOR BRONZE  
 CONTACT - COPPER-NICKEL-SILICON  
 HOUSING, CHICKLET AND CHICKLET COVER -  
 GLASS FILLED POLYESTER, UL 94V-0 RATED.
- △ FINISH: SIGNAL AND GROUND CONTACTS:  
 MATING AREA: MEETS THE PERFORMANCE REQUIREMENTS OF  
 PRODUCT SPECIFICATION 108-2055; BASED ON TELCORDIA  
 GR-1217-CORE, APPLICATIONS IN UNCONTROLLED  
 ENVIRONMENTS  
 COMPLIANT PIN AREA: 0.5µm MIN BRIGHT  
 TIN-LEAD OVER BASE PLATING
- △ CONNECTOR MARKED WITH PART NUMBER AND DATE CODE  
 IN APPROXIMATE AREA SHOWN
- △ DIMENSION APPLIES TO CENTERLINE OF THRU HOLE.
- △ DATUMS AND BASIC DIMENSIONS ESTABLISHED BY  
 CUSTOMER.
- 7. CONTACT AREA LUBRICATED WITH BELLCORE  
 APPROVED LUBRICANT. TECHNICAL REFERENCE:  
 GR-1217-CORE, ISSUE 1, NOVEMBER 1995.



TOP SURFACE OF  
 DAUGHTER CARD



1469028-1  
 PART NUMBER

THIS DRAWING IS A CONTROLLED DOCUMENT.		OWN R.S. KLINE 12OCT2000	CHK R. PATTERSON 10MAY2007	APV R. PATTERSON 10MAY2007	NAME RECEPTACLE ASSEMBLY, 2 PAIR, 25mm, HMZd
DIMENSIONS: mm	TOLERANCES UNLESS OTHERWISE SPECIFIED:	PRODUCT SPEC		APPLICATION SPEC	SIZE CAGE CODE DRAWING NO
0 PLC ±	1 PLC ±	APPLIC. SPEC		WEIGHT	A100779C=1469028
2 PLC ±	3 PLC ±	FINISH		CUSTOMER DRAWING	SCALE 8:1 SHEET 1 OF 1 REV F
4 PLC ±	ANGLES ±	MATERIAL		RESTRICTED TO	