

Keywords: DC/DC Converter, resistive feedback divider network, current DAC, full-scale current, source current, sink current, output voltage margin

APPLICATION NOTE 4055

Using the DS4402/DS4404 to Margin the Output Voltage of a DC-DC Converter

Jun 18, 2007

Abstract: A DS4402 or DS4404 adjustable-current DAC is used to adjust the margin of a DC-DC converter's output voltage. This article describes how to properly select the resistor values in a DC-DC converter's feedback divider network when a DS4402 or DS4404 is employed in the design.

The Adjustable Power Supply

The DS4402/DS4404 DACs contain two/four I²C adjustable current sources capable of sinking and sourcing current. A typical application for these DACs is margining the output voltage of a DC-DC converter. (See Figure 1.)

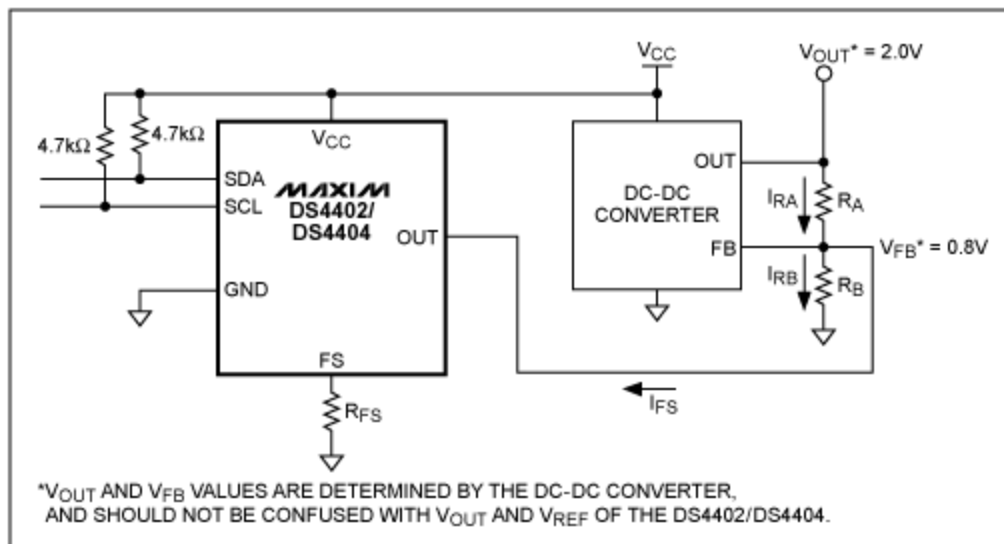


Figure 1. DC-DC converter circuit with adjustable-current DACs used to margin the converter's output voltage.

The DS4402/DS4404 sink and source current from their OUT pins. Valid full-scale current values range from 0.5mA to 2.0mA. The value of the full-scale current, I_{FS}, is determined by the size of the resistor connected to the DAC's FS pin of the corresponding OUT pin. The source/sink current generated by the

DS4402/DS4404 is most commonly used to adjust the DC-DC converter's feedback voltage-divider.

Determining the Relationship Between V_{OUT} and I_{FS}

Choosing the right I_{FS} depends on how much margin is desired on the DC-DC converter's V_{OUT} pin. To determine this margin, we must discover the relationship between V_{OUT} and I_{FS} .

Summing currents into the V_{FB} node, we find that:

$$I_{RA} = I_{FS} + I_{RB} \quad (\text{Eq. 1})$$

Where:

$$I_{RB} = \frac{V_{FB}}{R_B} \quad (\text{Eq. 2})$$

And:

$$I_{RA} = \frac{V_{OUT} - V_{FB}}{R_A} \quad (\text{Eq. 3})$$

However, since R_B and V_{FB} are constant, there is no change in I_{RB} . Thus:

$$\Delta I_{RA} = \Delta I_{FS} \quad (\text{Eq. 4})$$

We are looking for the relationship between the margin on V_{OUT} , ΔV_{OUT} , and the selected range of I_{FS} , ΔI_{FS} . Since we know that the change in the I_{FS} current equals the change in the current across R_A , we subtract one set of V_{OUT} and I_{RA} values from another to determine the relationship between V_{OUT} and I_{FS} .

First, solving Equation 3 to find V_{OUT} , we find that:

$$V_{OUT} = V_{FB} - I_{RA} \times R_A \quad (\text{Eq. 5})$$

Use Equation 5 to create two equations. For one equation, we choose the maximum margin on V_{OUT} , V_{OUTMAX} , and the maximum I_{RA} , I_{RAMAX} . For the other equation, we choose the nominal values for V_{OUT} and I_{RA} , V_{OUTNOM} and I_{RANOM} . Subtracting the two equations, we get:

$$\frac{V_{OUTMAX} = V_{FB} - I_{RAMAX} \times R_A}{- (V_{OUTNOM} = V_{FB} - I_{RANOM} \times R_A)} \quad (\text{Eq. 6})$$
$$\Delta V_{OUT} = \Delta I_{RA} \times R_A$$

Using Equation 4, Equation 6 translates into the relationship:

$$\Delta V_{OUT} = \Delta I_{FS} \times R_A \quad (\text{Eq. 7})$$

Equation 7 shows that the relationship between the margin on V_{OUT} and I_{FS} is determined by the value of the resistor R_A .

Calculating the Right Resistor Value for the Margin on V_{OUT}

Now that we know the relationship between V_{OUT} and I_{FS} , we can select the correct value of R_A and, thus, R_B to generate the desired margin on V_{OUT} . Since the full-scale current sink/source range of the DS4402/DS4404 is 0.5mA to 2.0mA, we select 1mA as the I_{FS} current for the DAC. To set this value, choose R_{FS} based on the following equation (Equation 1 in the DS4402/DS4404 data sheet):

$$R_{FS} = \frac{V_{REF}}{I_{FS}} \times \frac{31}{4} \quad (\text{Eq. 8})$$

With $V_{REF} = 1.23V$, we solve Equation 8 and find that R_{FS} needs to be 9.53k Ω to produce a 1mA full-scale current.

With the DS4402/DS4404 I_{FS} selected, we must determine the size of R_A to achieve the desired margin on V_{OUT} . A 2.0V V_{OUT} with a 20% margin requires $\pm 0.4V$ of change. Sinking and sourcing settings of the DS4402/DS4404 will manage the sign. The change in I_{FS} equals the I_{FS} value of 1mA, and the desired change in V_{OUT} is 0.4V. After substituting for ΔV_{OUT} and ΔI_{FS} in Equation 7, we solve for R_A and get $R_A = 400\Omega$.

Determining the Relationship Between R_A and R_B

The feedback network of the circuit in Figure 1 is a voltage-divider with resistors R_A and R_B . Looking at Figure 1 and assuming that $I_{FS} = 0A$, we create a simple voltage-divider equation:

$$V_{FB} = \frac{R_B}{R_A + R_B} \times V_{OUT} \quad (\text{Eq. 9})$$

We assume that the desired nominal value for V_{OUT} is 2.0V and that the DC-DC converter has a feedback voltage, V_{FB} , of 0.8V. Substituting the values for V_{OUT} and V_{FB} , the relationship between R_A and R_B is determined:

$$R_A = 1.5 \times R_B \quad (\text{Eq. 10})$$

We use Equation 10 to solve for R_B , and get $R_B = 267\Omega$.

Conclusion

The resistive-feedback-divider network and the current-sinking/sourcing capabilities of the DS4402/DS4404 DACs control the margin of V_{OUT} on a DC-DC converter. The relationship between the full-scale current, I_{FS} , to the margin on V_{OUT} is determined by the value of the resistor R_A . By choosing the correct I_{FS} value for your application, you can determine the correct resistor values for the feedback divider network, and achieve the desired margin on V_{OUT} .

Related Parts

DS4402	Two/Four-Channel, I ² C Adjustable Current DAC	Free Samples
DS4404	Two/Four-Channel, I ² C Adjustable Current DAC	Free Samples

More Information

For Technical Support: <http://www.maximintegrated.com/support>

For Samples: <http://www.maximintegrated.com/samples>
Other Questions and Comments: <http://www.maximintegrated.com/contact>

Application Note 4055: <http://www.maximintegrated.com/an4055>
APPLICATION NOTE 4055, AN4055, AN 4055, APP4055, Appnote4055, Appnote 4055
Copyright © by Maxim Integrated Products
Additional Legal Notices: <http://www.maximintegrated.com/legal>