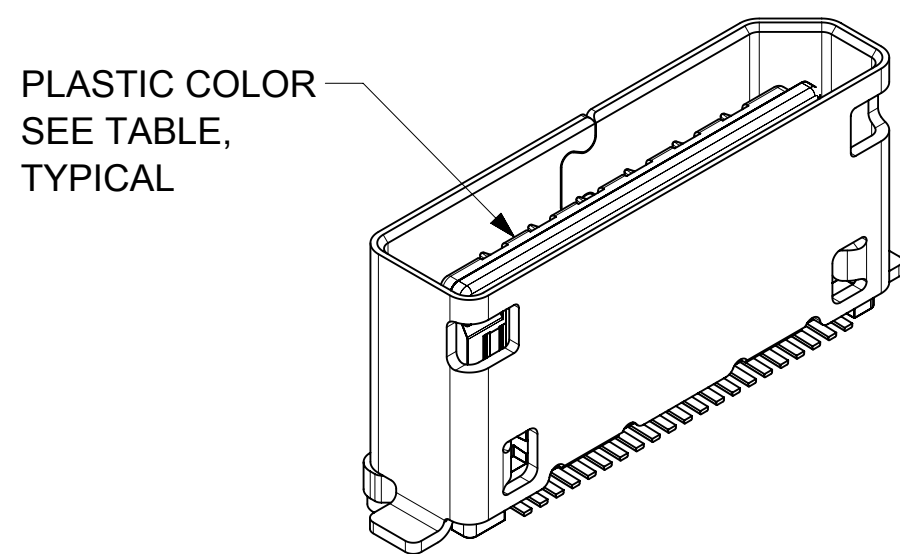
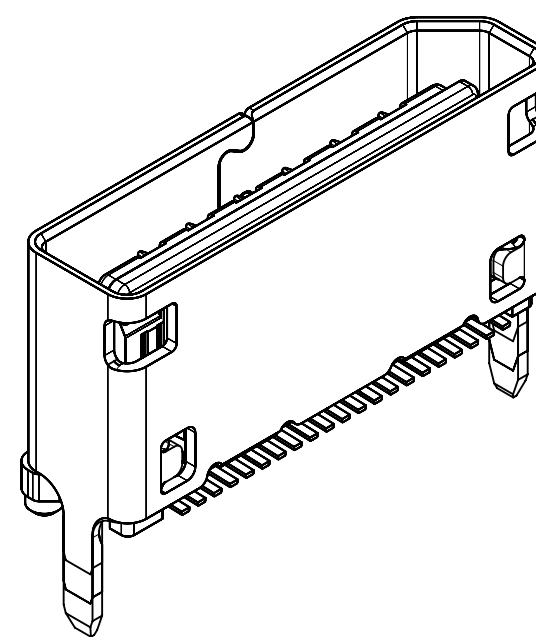


STATUS	MATERIAL NUMBER	SHELL ATTACH OPTION	PLASTIC COLOR	DIM "T" OPTION 1
TOOLED	171983-0142	SMT	BLACK	-
NOT TOOLED	171983-0342	SMT	NATURAL	-
TOOLED	171983-2042	TH	BLACK	3.00
TOOLED	171983-2342	TH	NATURAL	3.00
TOOLED	171983-2442	TH	BLACK	2.36
TOOLED	171983-2542	TH	NATURAL	2.36
TOOLED	171983-2642	TH	BLACK	1.57
TOOLED	171983-2742	TH	NATURAL	1.57
TOOLED	171983-3042	XD	BLACK	3.00
TOOLED	171983-3142	XD	NATURAL	3.00
TOOLED	171983-3242	XD	BLACK	2.36
TOOLED	171983-3342	XD	NATURAL	2.36
TOOLED	171983-3442	XD	BLACK	1.57
TOOLED	171983-3542	XD	NATURAL	1.57

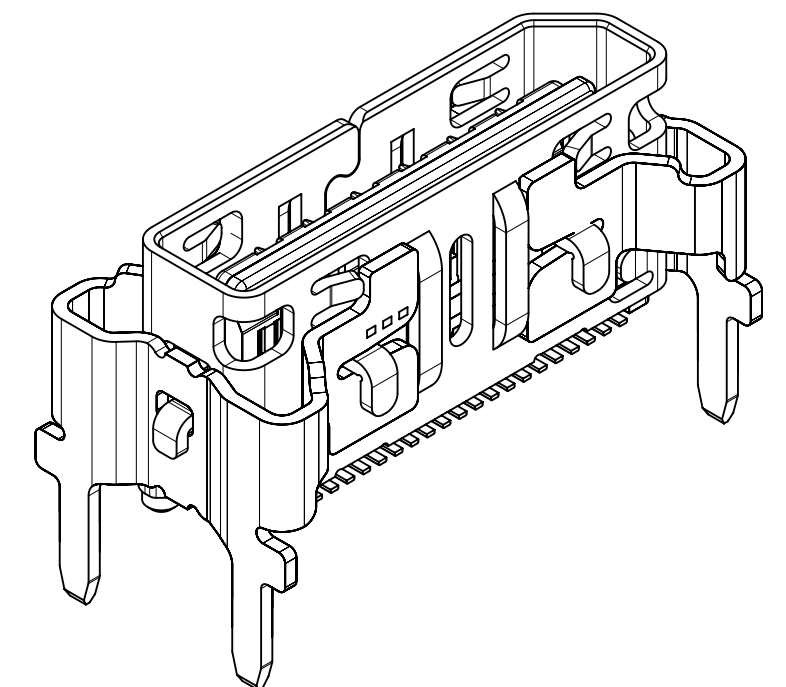
42 CIRCUIT SMT SHELL



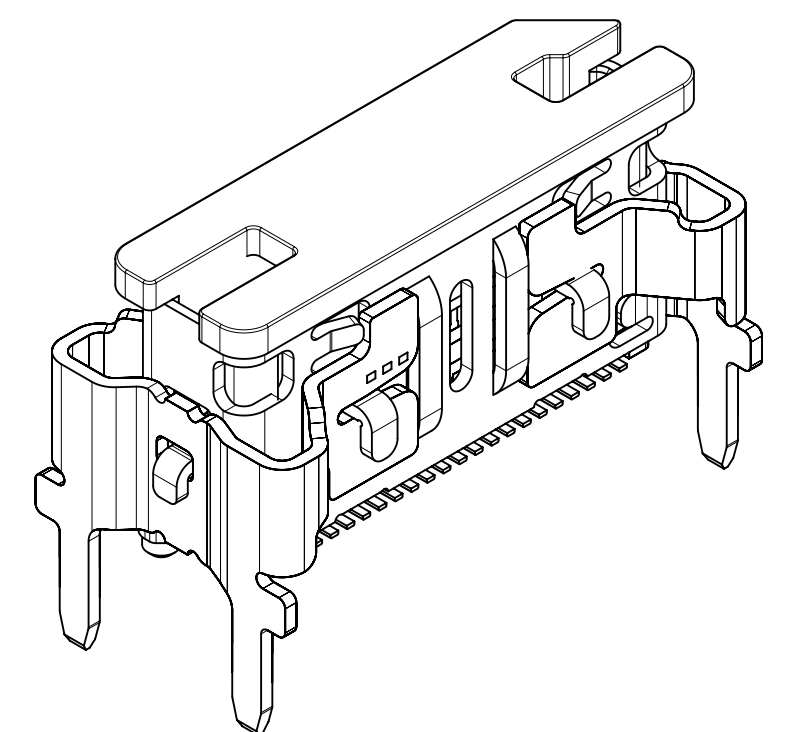
42 CIRCUIT THRU HOLE SHELL



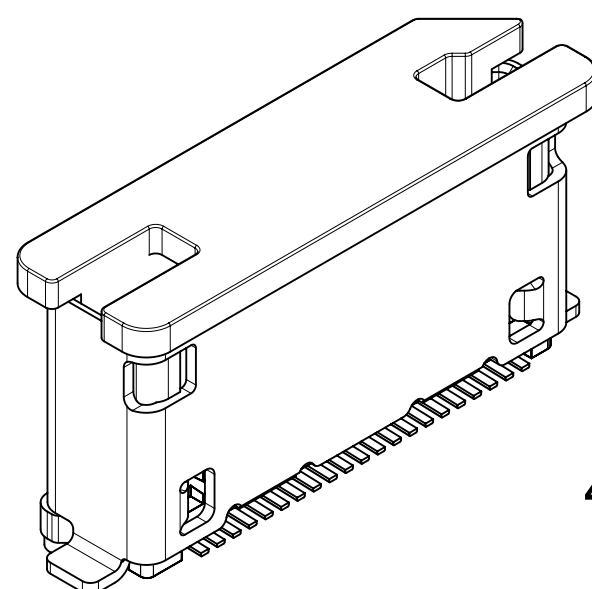
42 CIRCUIT XD SHELL



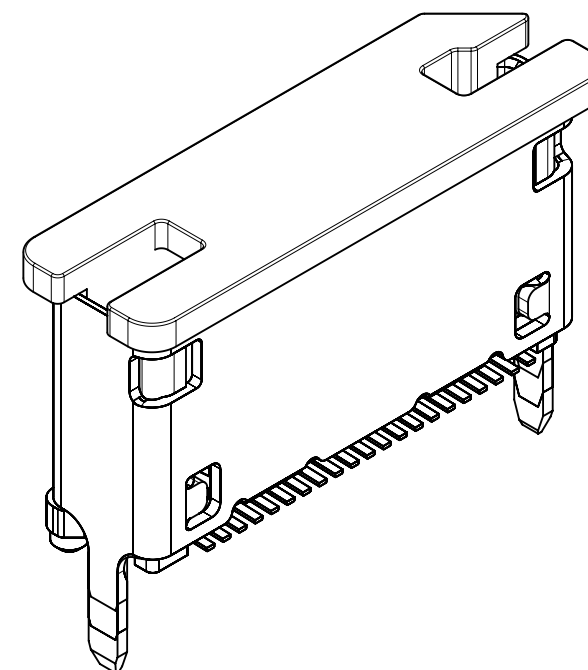
42 CIRCUIT XD SHELL W/ CAP



42 CIRCUIT SMT SHELL W/ CAP



42 CIRCUIT THRU HOLE SHELL W/ CAP



NOTES:

1. MATERIALS:

- HOUSING - GLASS FILLED THERMOPLASTIC, 94V-0
- CONTACTS - HIGH PERFORMANCE COPPER ALLOY
- SHIELD - STAINLESS STEEL
- DUST CAP-GLASSFILLED THERMOPLASTIC 94V-0
- COLOR:BLACK

2. FINISH:

- CONTACTS - 0.76µm MIN. GOLD MATING SIDE
- 0.005µm GOLD FLASH ON SOLDER TAILS
- 1.27µm MIN. NICKEL UNDERPLATE OVERALL

- SMT/TH SHIELD - MATTE TIN OVER 1.27µm MIN. NICKEL
- XD SHIELD-MATT TIN ON SOLDER LEGS ONLY

3. PRODUCT SPECIFICATION: PS-171982-0001

4. PACKAGING SPECIFICATION: PK-173307-0001

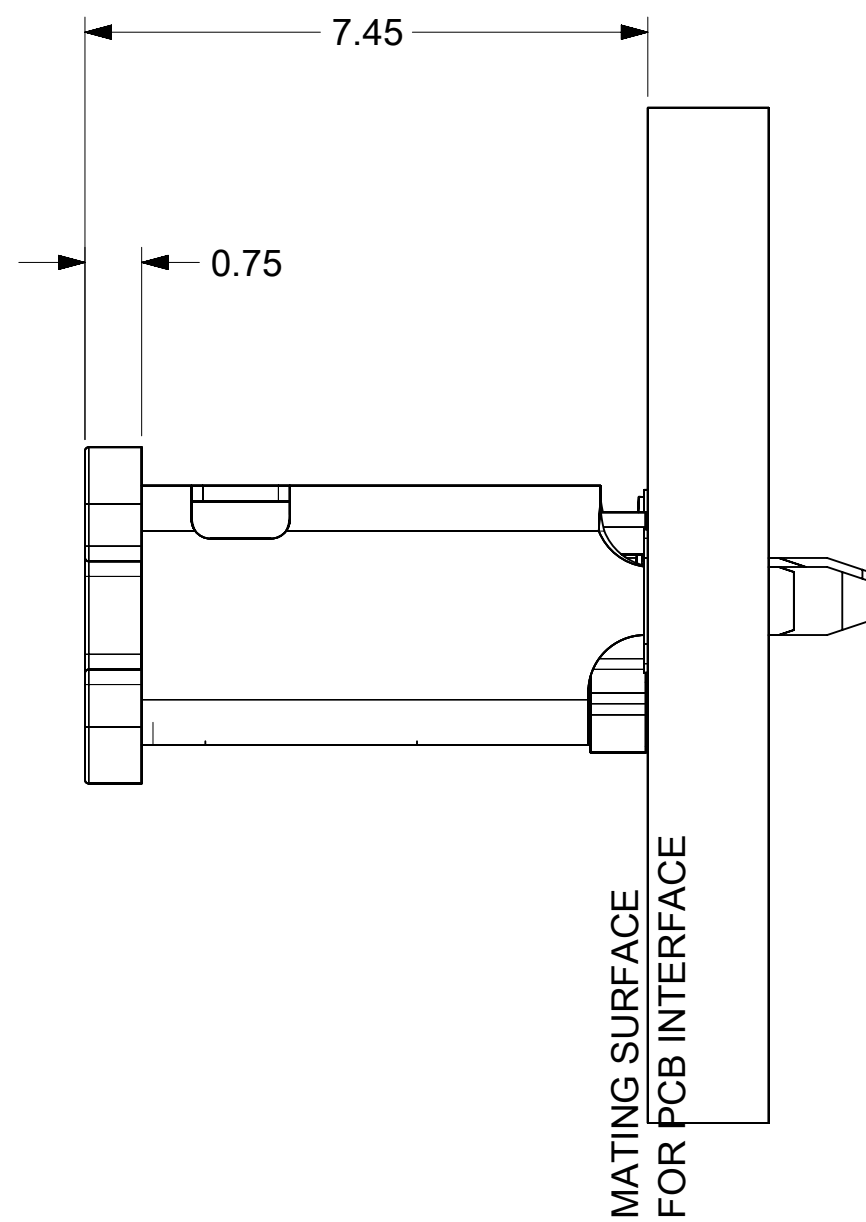
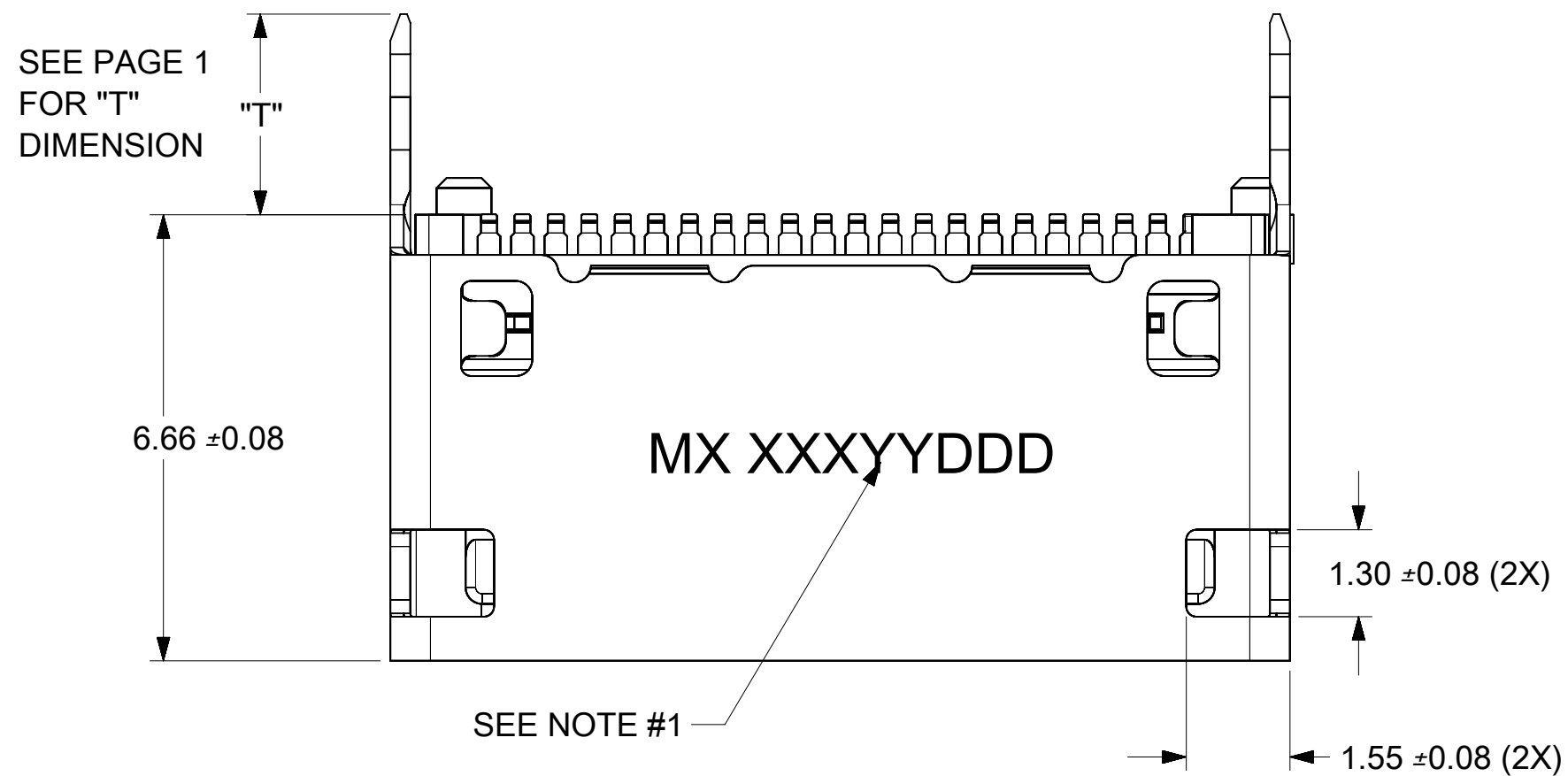
5. MATES WITH: MOLEX CABLE SERIES 100436
COMPLIES WITH PCI EXPRESS OCULINK REV.1.0 SPECIFICATION

6. APPLICATION SPECIFICATION: AS-173162-0001

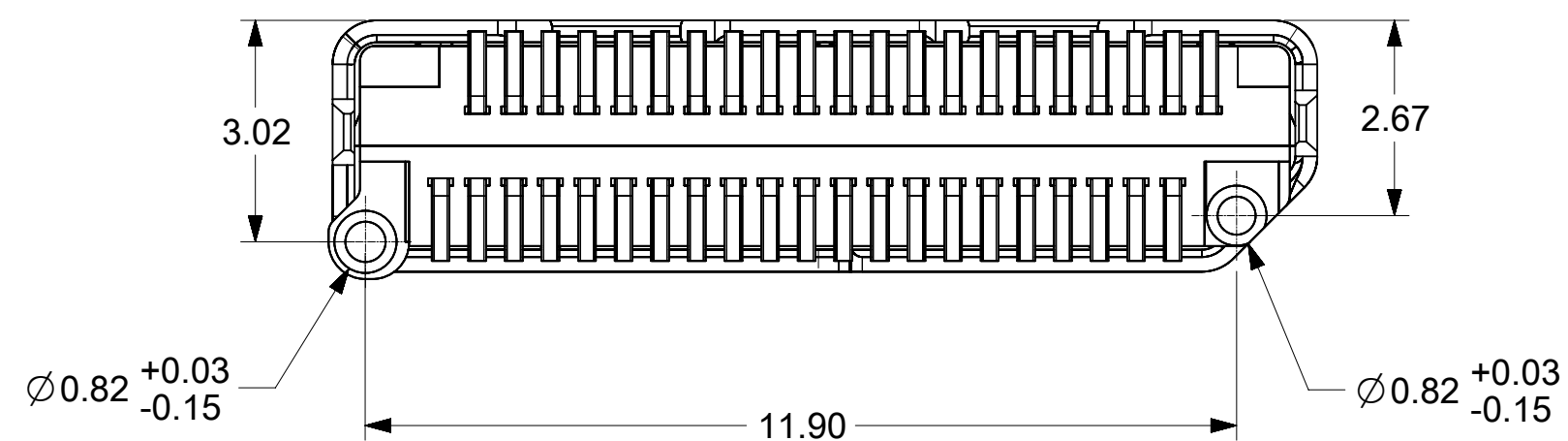
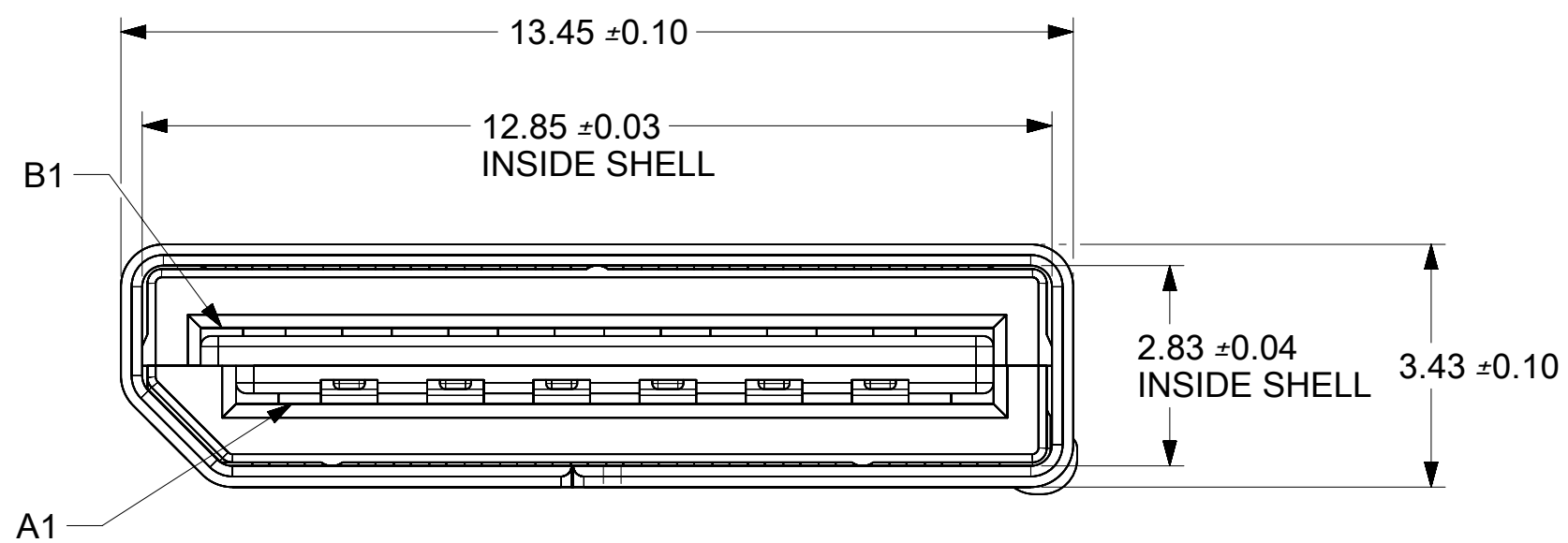
7. COSMETIC SPECIFICATION: PS-173162-0001,CLASS C

THIS DRAWING CONTAINS INFORMATION THAT IS PROPRIETARY TO MOLEX ELECTRONIC TECHNOLOGIES, LLC AND SHOULD NOT BE USED WITHOUT WRITTEN PERMISSION											
MIGRATED TO NX	2018/09/14	GENERAL TOLERANCES (UNLESS SPECIFIED)		DIMENSION UNITS		SCALE					
	2019/01/16	MM	INCH	MM		6:1					
	2019/01/16	4 PLACES	±	±	DRWN BY	DATE					
		3 PLACES	±	±	MJANTELEZIO	2015/10/22					
		2 PLACES	±	0.13	±	CHK'D BY	DATE				
	1 PLACES	±	0.25	±	APPR BY	DATE					
	0 PLACES	±		±	MBANAKIS	2015/11/09					
	ANGULAR TOL = 0.5			DRAWING SIZE	THIRD ANGLE PROJECTION						
	DRAFT WHERE APPLICABLE MUST REMAIN WITHIN DIMENSIONS			C							
EC NO: 610015	DRWN: CHEN103	CHKD: JKACHLIC	REV / APPR: JKACHLIC							NANO PITCH I/O VERTICAL 4X	
PRODUCT CUSTOMER DRAWING											
SERIES	MATERIAL NUMBER	CUSTOMER									
171983	SEE CHART	GENERAL MARKET									
DOCUMENT NUMBER				DOC TYPE	DOC PART	SHEET NUMBER					
SD-171983-1000				PSD	001	1 OF 7					

42 CIRCUIT TH ASSEMBLY



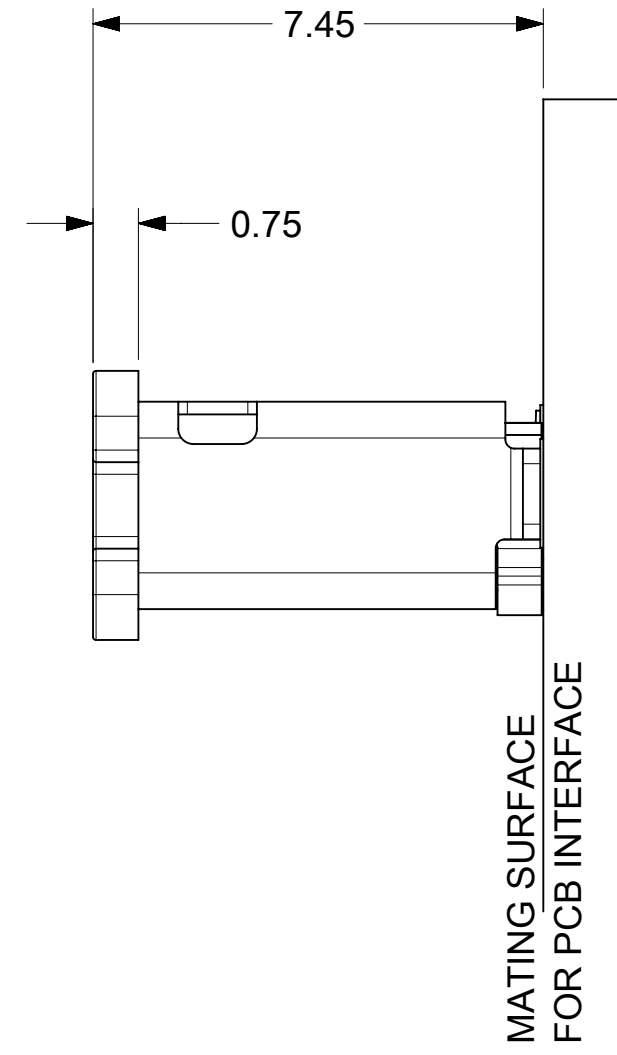
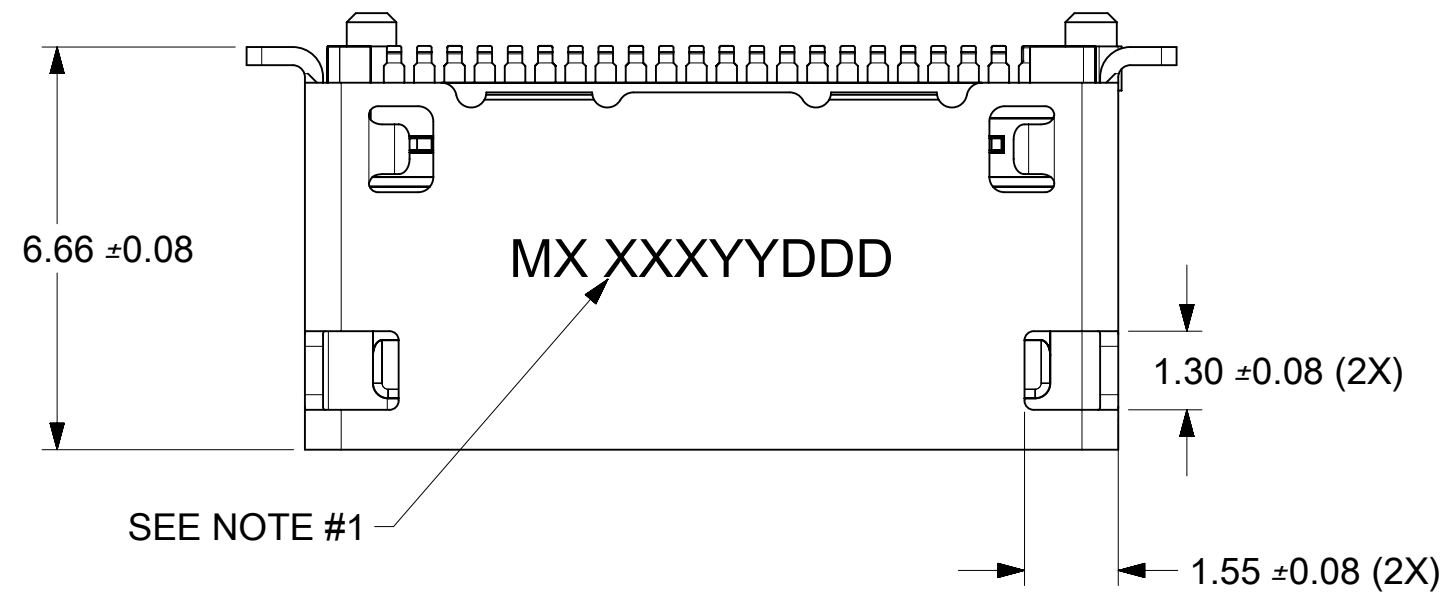
WITH CAP



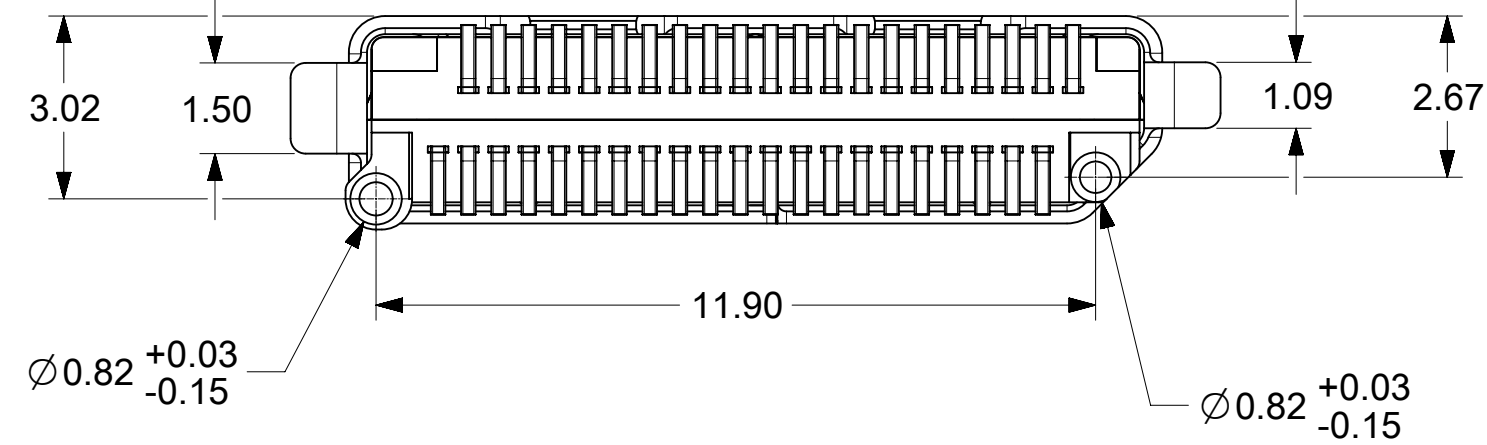
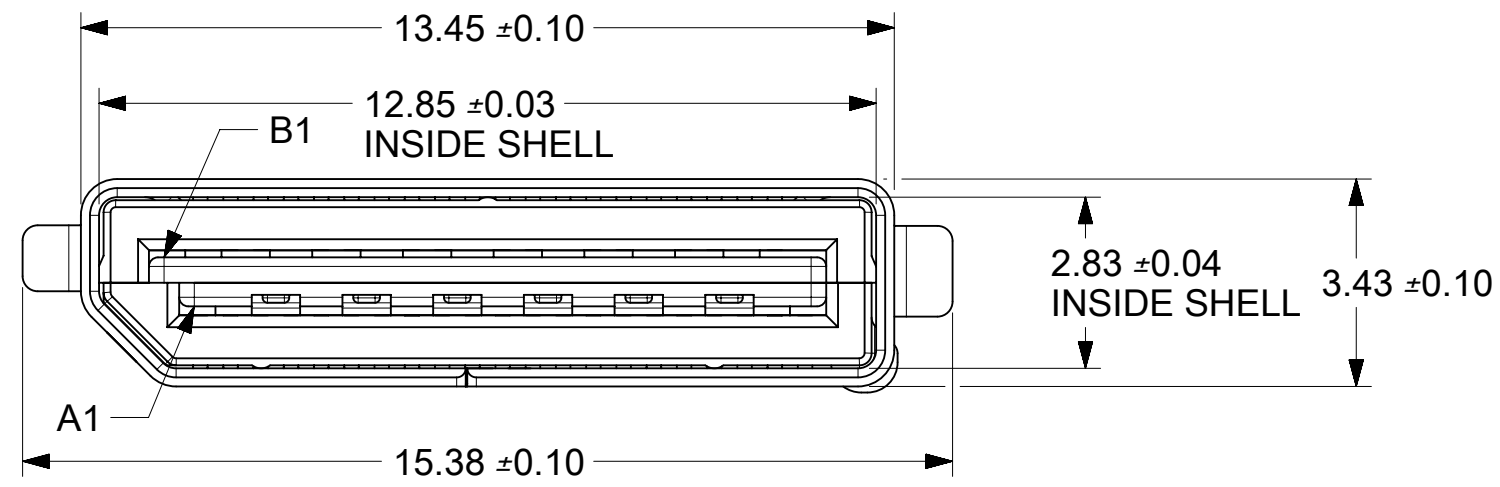
- NOTES:
1. PLANT CODE, MANUFACTURED DATE CODE (JULIAN CALENDAR) AND PART NUMBER
 2. SOLDER TAIL COPLANARITY 0.10 MAX

THIS DRAWING CONTAINS INFORMATION THAT IS PROPRIETARY TO MOLEX ELECTRONIC TECHNOLOGIES, LLC AND SHOULD NOT BE USED WITHOUT WRITTEN PERMISSION													
MIGRATED TO NX EC NO: 610015 DRWN: CHEN103 CHKD: JKACHLIC REV / APPR: JKACHLIC	GENERAL TOLERANCES (UNLESS SPECIFIED)		DIMENSION UNITS		SCALE								
			MM		10:1								
	4 PLACES ±		MM		DRWN BY		DATE		NANO PITCH I/O VERTICAL 4X PRODUCT CUSTOMER DRAWING				
	3 PLACES ±		INCH		MJANTELEZIO		2015/10/22						
	2 PLACES ± 0.13				CHK'D BY		DATE						
	1 PLACES ± 0.25				APPR BY		DATE						
0 PLACES ±				MBANAKIS		2015/11/09		SERIES					
ANGULAR TOL ± 0.5				DRAWING SIZE		THIRD ANGLE PROJECTION		171983		MATERIAL NUMBER		CUSTOMER	
DRAFT WHERE APPLICABLE MUST REMAIN WITHIN DIMENSIONS				C				SEE CHART		GENERAL MARKET			
								DOCUMENT NUMBER		DOC TYPE		SHEET NUMBER	
								SD-171983-1000		PSD		001 2 OF 7	

42 CIRCUIT SMT ASSEMBLY



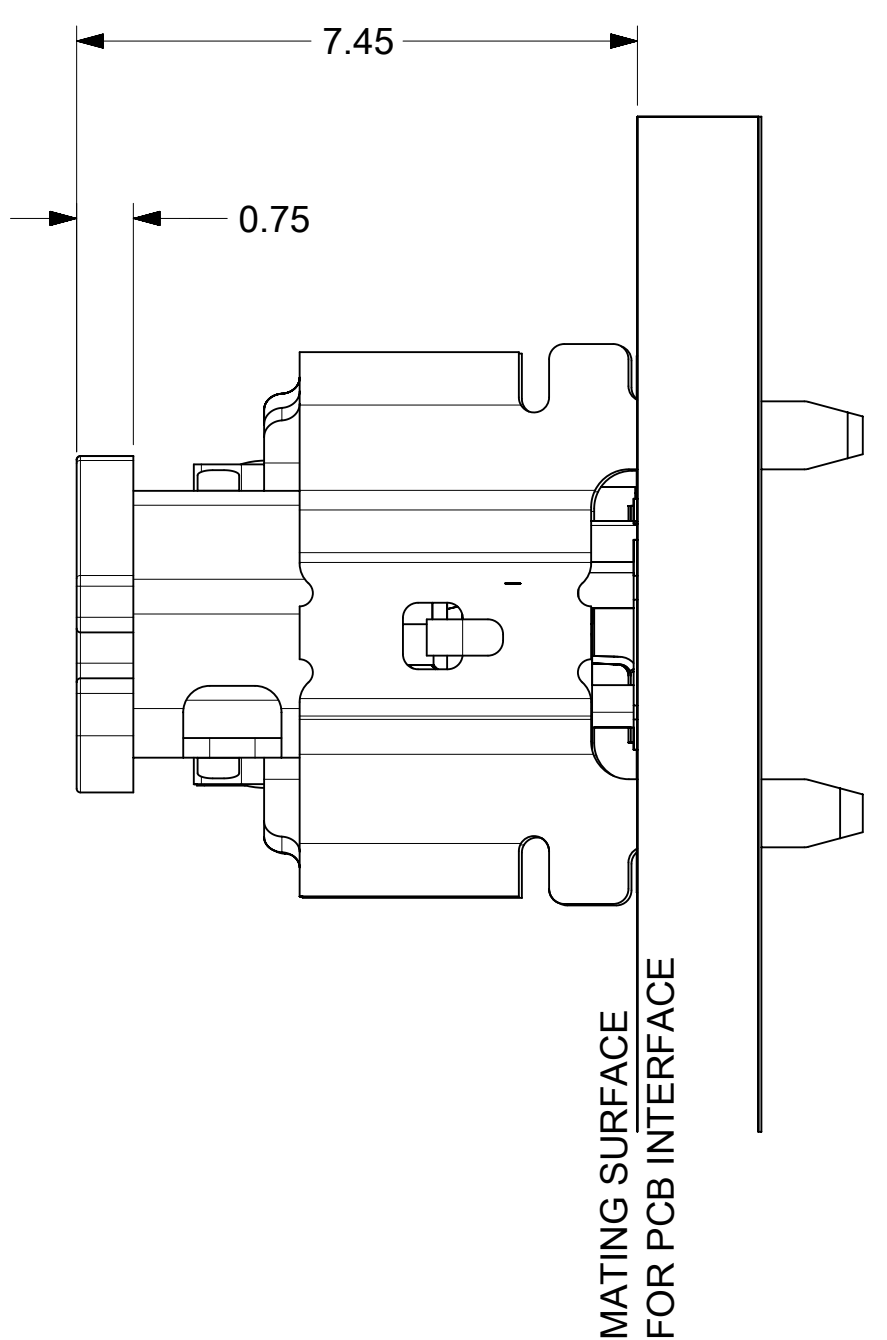
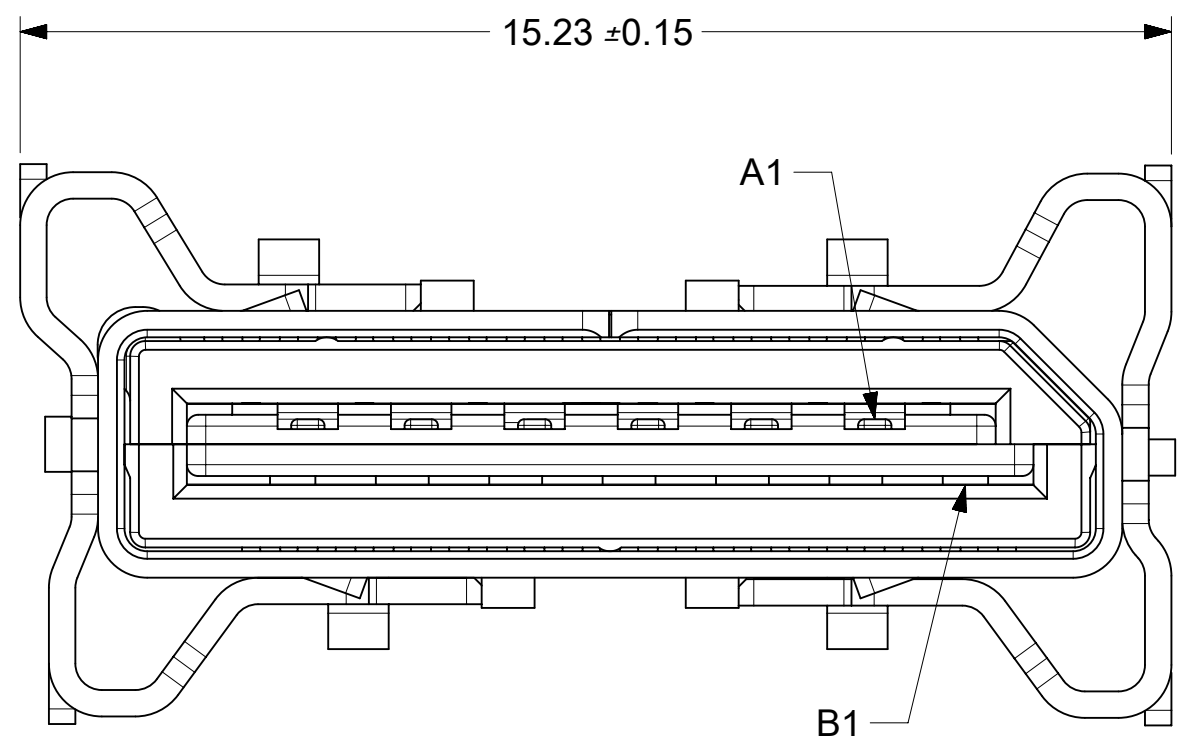
WITH CAP



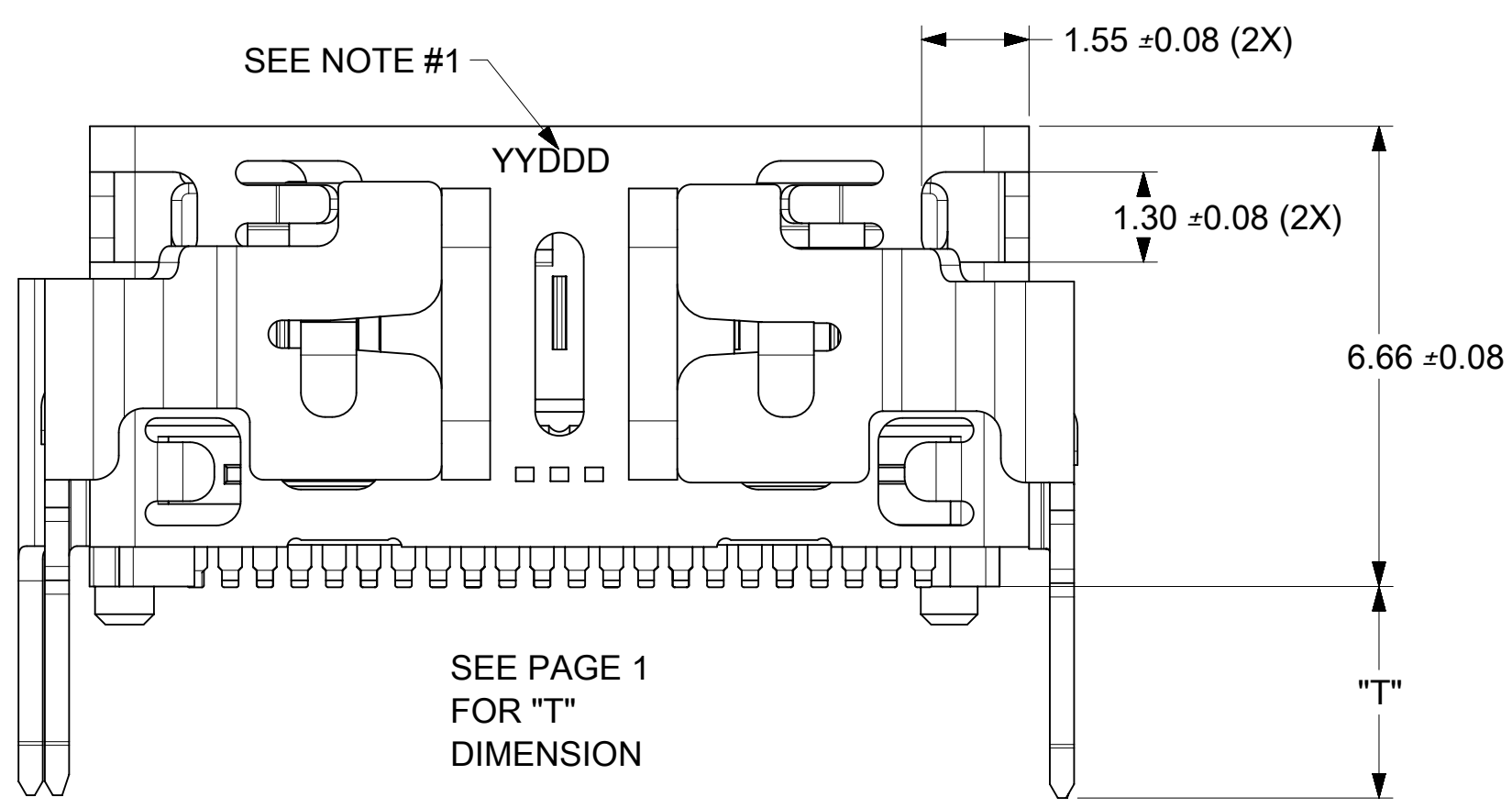
- NOTES:**
1. PLANT CODE, MANUFACTURED DATE CODE (JULIAN CALENDAR) AND PART NUMBER
 2. SOLDER TAIL COPLANARITY 0.10 MAX

THIS DRAWING CONTAINS INFORMATION THAT IS PROPRIETARY TO MOLEX ELECTRONIC TECHNOLOGIES, LLC AND SHOULD NOT BE USED WITHOUT WRITTEN PERMISSION																									
MIGRATED TO NX EC NO: 610015 DRWN: CCHEN103 CHKD: JKACHLIC REV / APPR: JKACHLIC	2018/09/14		2019/01/16		2019/01/16		GENERAL TOLERANCES (UNLESS SPECIFIED)		DIMENSION UNITS		SCALE		molex												
	MM		INCH		MM		INCH		MM		8:1														
	4 PLACES		±		±		DRWN BY		DATE		MJANTELEZIO		2015/10/22		NANO PITCH I/O VERTICAL 4X										
	3 PLACES		±		±		CHK'D BY		DATE																
	2 PLACES		±		0.13		±		APPR BY		DATE		MBANAKIS					2015/11/09							
1 PLACES		±		0.25		±		DRAWING SIZE		THIRD ANGLE PROJECTION		C		SERIES		MATERIAL NUMBER		CUSTOMER							
0 PLACES		±		±		±		ANGULAR TOL = 0.5		DRAFT WHERE APPLICABLE MUST REMAIN WITHIN DIMENSIONS		C		171983		SEE CHART		GENERAL MARKET							
K1		P1		RELEASE DATE		2019/01/16		08:27:42		DOCUMENT NUMBER		SD-171983-1000		DOC TYPE		PSD		DOC PART		001		SHEET NUMBER		3 OF 7	

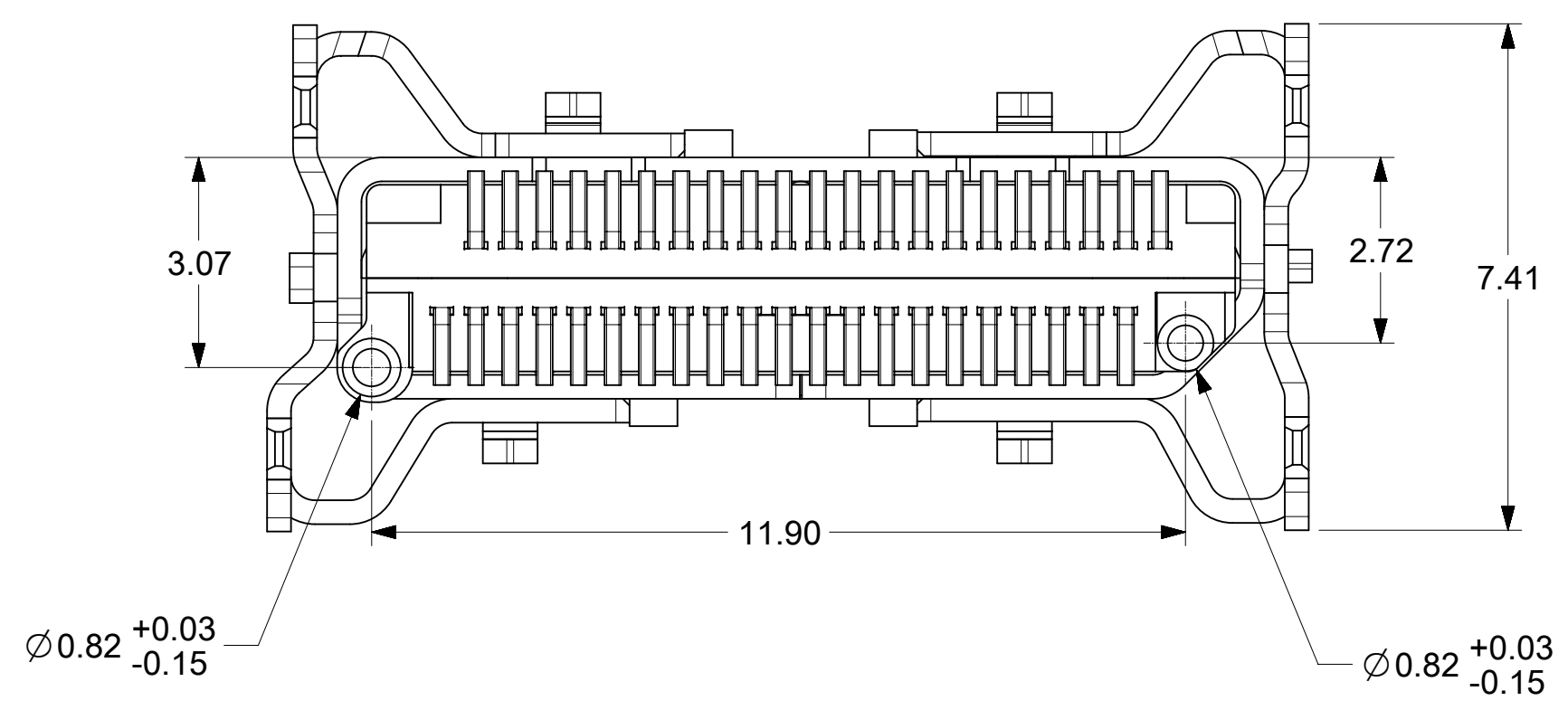
42 CIRCUIT XD ASSEMBLY



WITH CAP



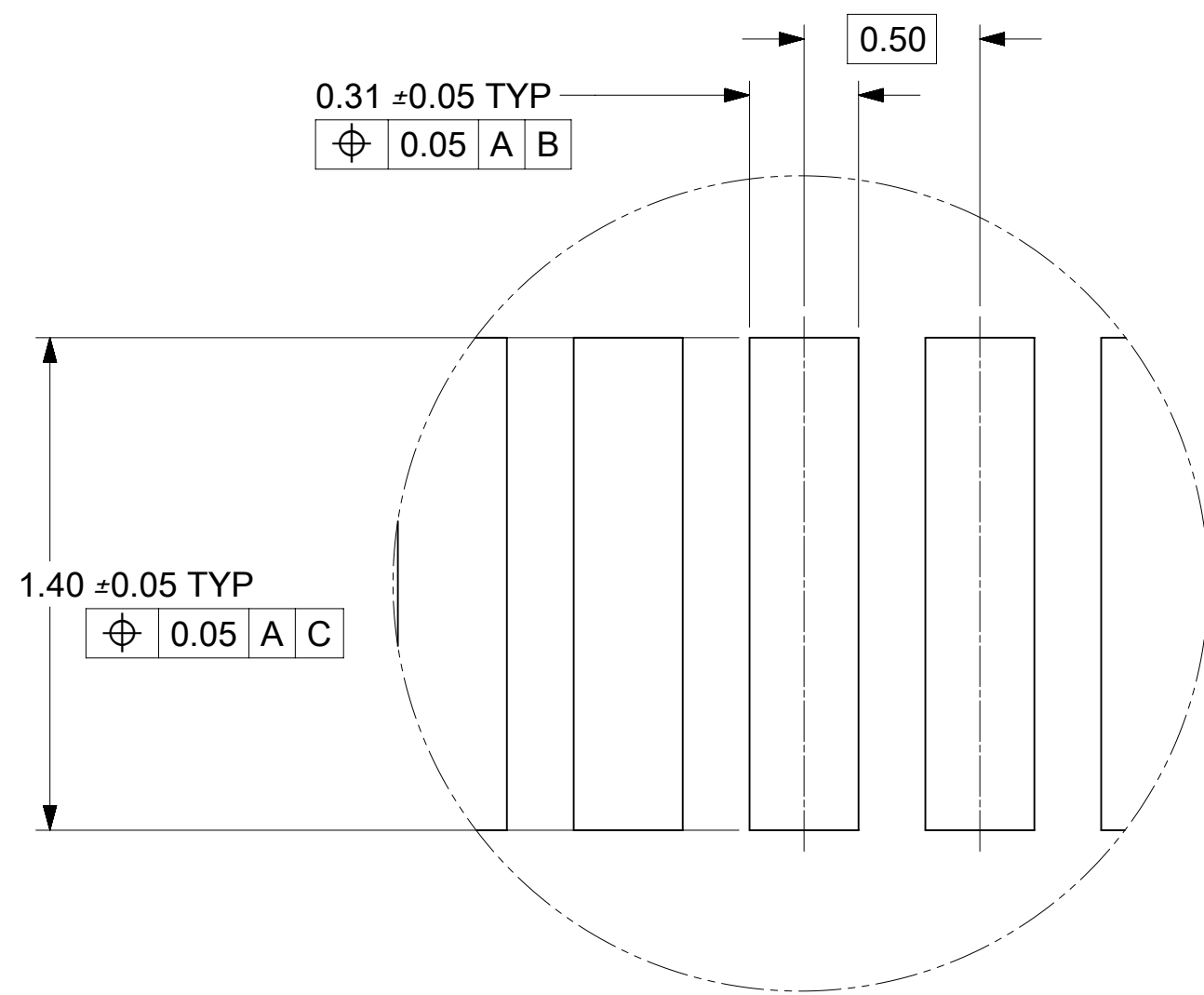
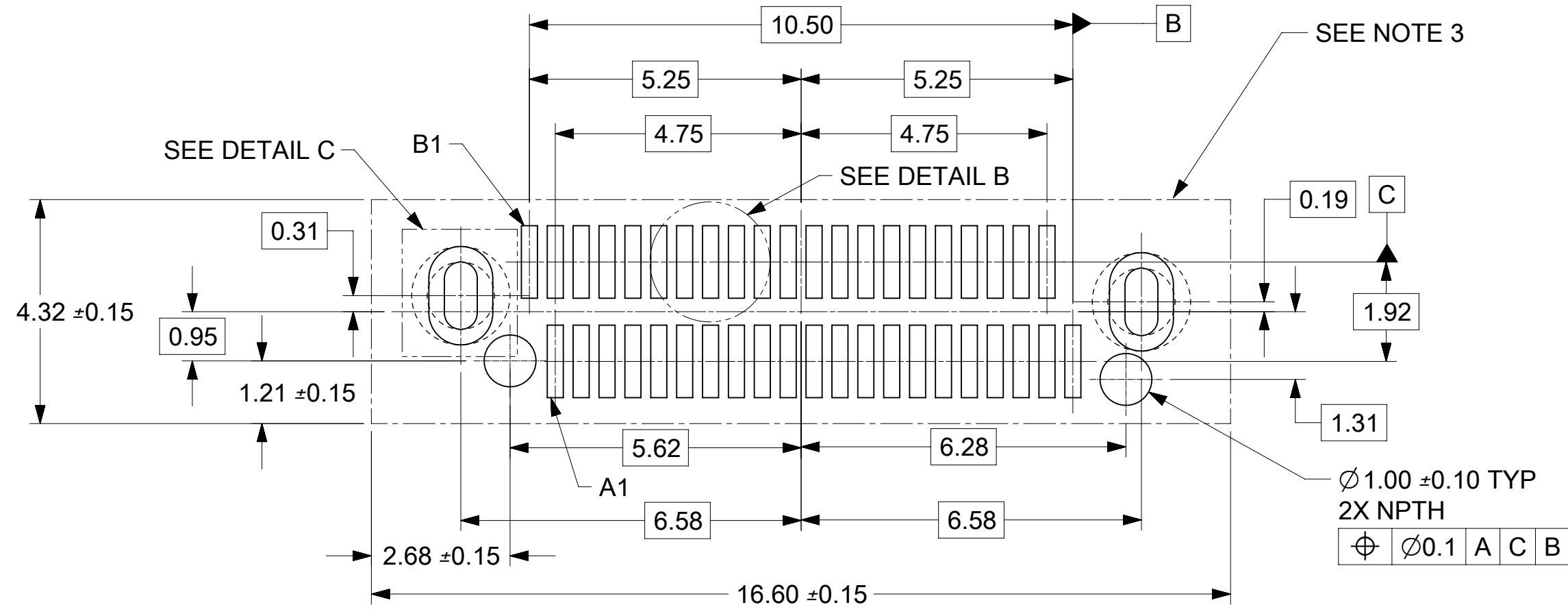
- NOTES:
 1. MANUFACTURED DATE CODE (JULIAN CALENDAR)
 2. SOLDER TAIL COPLANARITY 0.10 MAX



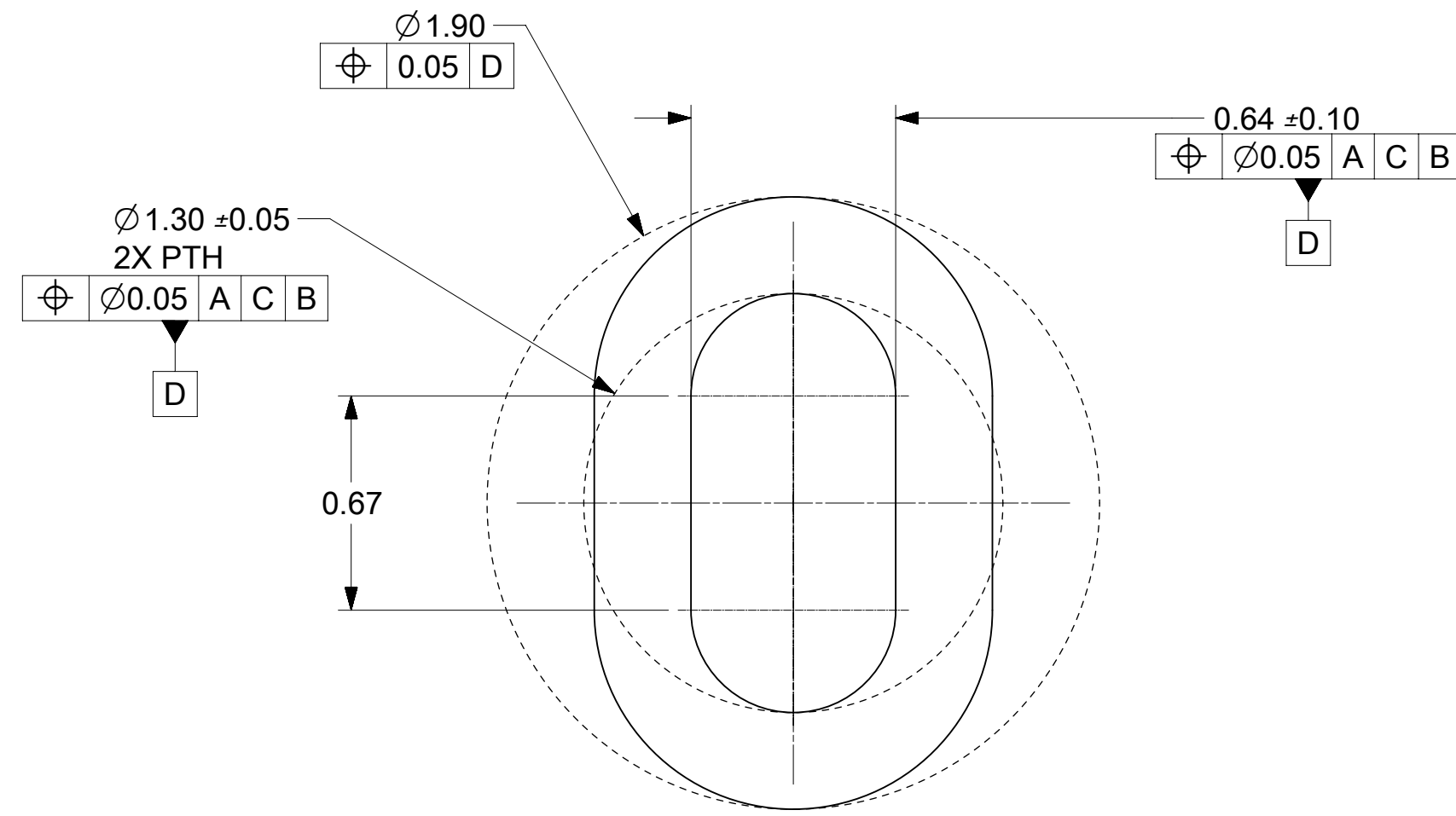
THIS DRAWING CONTAINS INFORMATION THAT IS PROPRIETARY TO MOLEX ELECTRONIC TECHNOLOGIES, LLC AND SHOULD NOT BE USED WITHOUT WRITTEN PERMISSION

MIGRATED TO NX EC NO: 610015 DRWN: CCHEN103 CHKD: JKACHLIC REV / APPR: JKACHLIC	2018/09/14	2019/01/16	2019/01/16	GENERAL TOLERANCES (UNLESS SPECIFIED)		DIMENSION UNITS	SCALE	molex		
				MM	INCH	MM	10:1			
				4 PLACES ±	±	DRWN BY	DATE	NANO PITCH I/O VERTICAL 4X		
				3 PLACES ±	±	MJANTELEZIO	2015/10/22			
				2 PLACES ±	0.13 ±	CHK'D BY	DATE			
			1 PLACES ±	0.25 ±	APPR BY	DATE	PRODUCT CUSTOMER DRAWING			
			0 PLACES ±	±	MBANAKIS	2015/11/09	SERIES	MATERIAL NUMBER	CUSTOMER	
				ANGULAR TOL = 0.5	DRAWING SIZE	THIRD ANGLE PROJECTION	171983	SEE CHART	GENERAL MARKET	
				DRAFT WHERE APPLICABLE MUST REMAIN WITHIN DIMENSIONS	C		DOCUMENT NUMBER	DOC TYPE	DOC PART	SHEET NUMBER
K1							SD-171983-1000	PSD	001	4 OF 7

42 CIRCUIT TAIL RECOMMENDED FOOTPRINT



DETAIL B
SCALE 50:1



DETAIL C
SCALE 50:1

NOTES:

1. MINIMUM RECOMMENDED SPACING BETWEEN ADJACENT CONNECTORS IS 19.05mm
2. MINIMUM RECOMMENDED PCB THICKNESS: 1.57mm
3. CONNECTOR KEEP OUT AREA
4. DATUM -A- ESTABLISHED FROM TOP SURFACE OF PCB

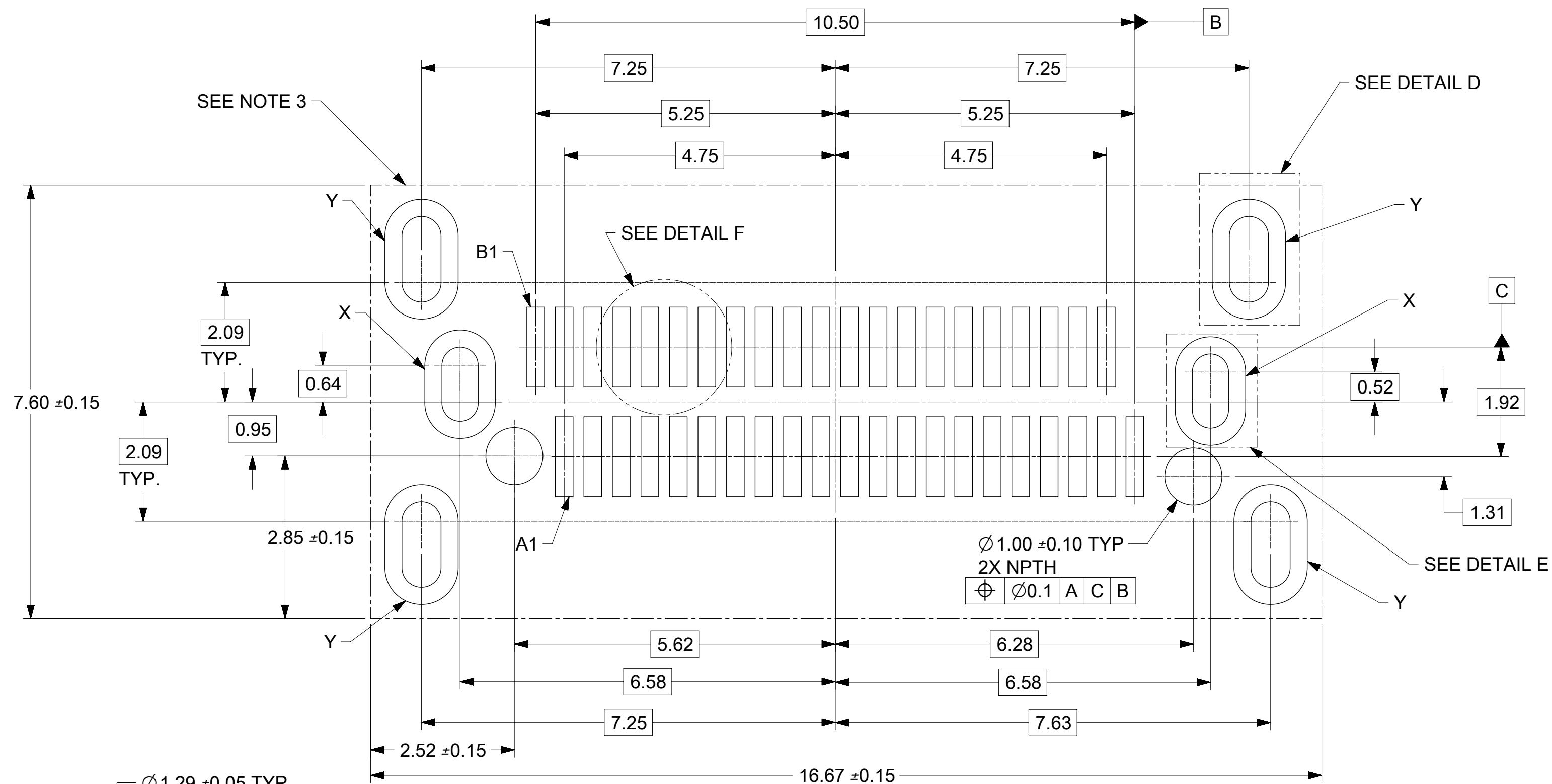
THIS DRAWING CONTAINS INFORMATION THAT IS PROPRIETARY TO MOLEX ELECTRONIC TECHNOLOGIES, LLC AND SHOULD NOT BE USED WITHOUT WRITTEN PERMISSION										
MIGRATED TO NX EC NO: 610015 DRWN: CCHEN103 CHKD: JKACHLIC REV / APPR: JKACHLIC	2018/09/14		2019/01/16		2019/01/16		GENERAL TOLERANCES (UNLESS SPECIFIED)		DIMENSION UNITS	
	4 PLACES		±		±		MM		SCALE	
	3 PLACES		±		±		INCH		10:1	
	2 PLACES		± 0.13		±		DRWN BY		DATE	
	1 PLACES		± 0.25		±		MJANTELEZIO		2015/10/22	
0 PLACES		±		±		CHK'D BY		DATE		
ANGULAR TOL = 0.5						APPR BY		DATE		
DRAFT WHERE APPLICABLE MUST REMAIN WITHIN DIMENSIONS						MBANAKIS		2015/11/09		
DRAWING SIZE		C		THIRD ANGLE PROJECTION						
SERIES			MATERIAL NUMBER			CUSTOMER				
171983			SEE CHART			GENERAL MARKET				
DOCUMENT NUMBER			DOC TYPE			DOC PART		SHEET NUMBER		
SD-171983-1000			PSD			001		5 OF 7		

molex

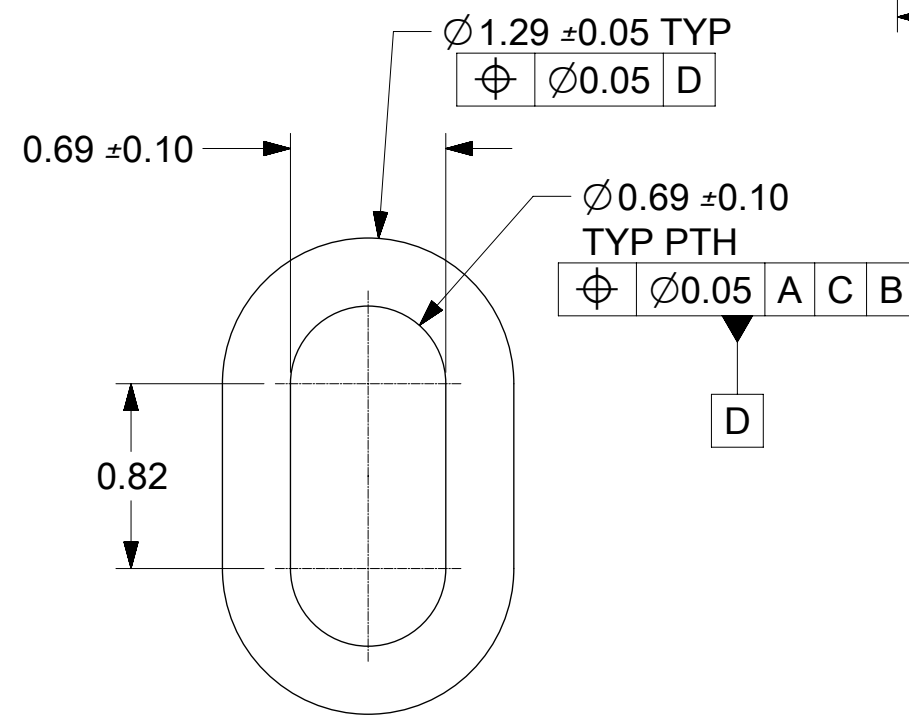
NANO PITCH I/O
VERTICAL 4X

PRODUCT CUSTOMER DRAWING

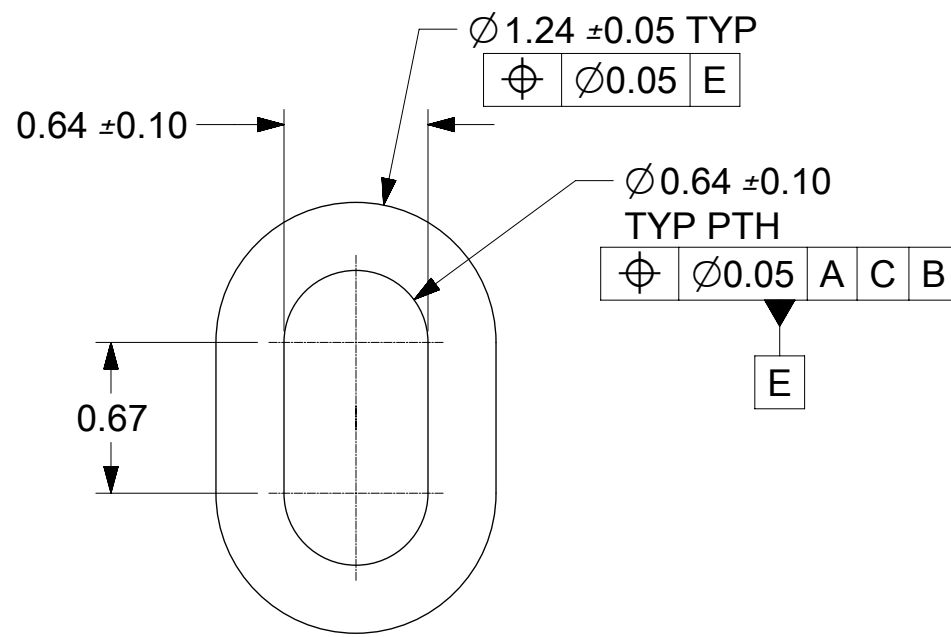
42 CIRCUIT COMMON TAIL/XD RECOMMENDED FOOTPRINT



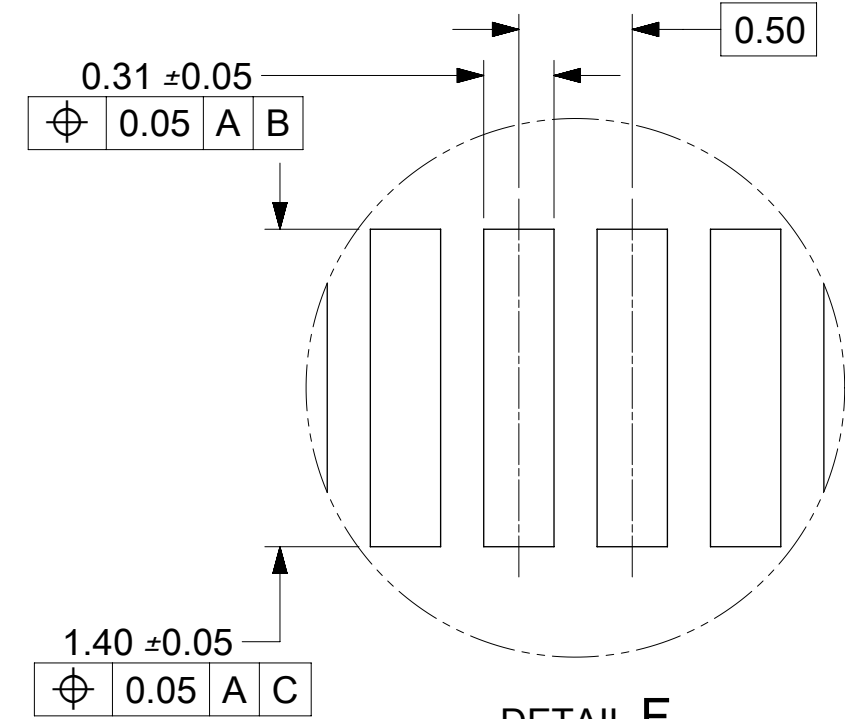
Ø1.00 ±0.10 TYP
2X NPTH
⊕ Ø0.1 A C B



DETAIL D
SCALE 30:1



DETAIL E
SCALE 30:1



DETAIL F
SCALE 30:1

- NOTES:
1. MINIMUM RECOMMENDED SPACING BETWEEN ADJACENT CONNECTOR IS 19.05mm
 2. MINIMUM RECOMMENDED PCB THICKNESS: 1.57mm
 3. CONNECTOR KEEP OUT AREA
 4. DATUM -A- ESTABLISHED FROM TOP SURFACE OF PCB
 5. COMMON FOOTPRINT SHOWN FOR XD ONLY PATTERN USE ONLY PTH DENOTED "Y" FOR TH ONLY PATTERN USE ONLY PTH DENOTED "X"

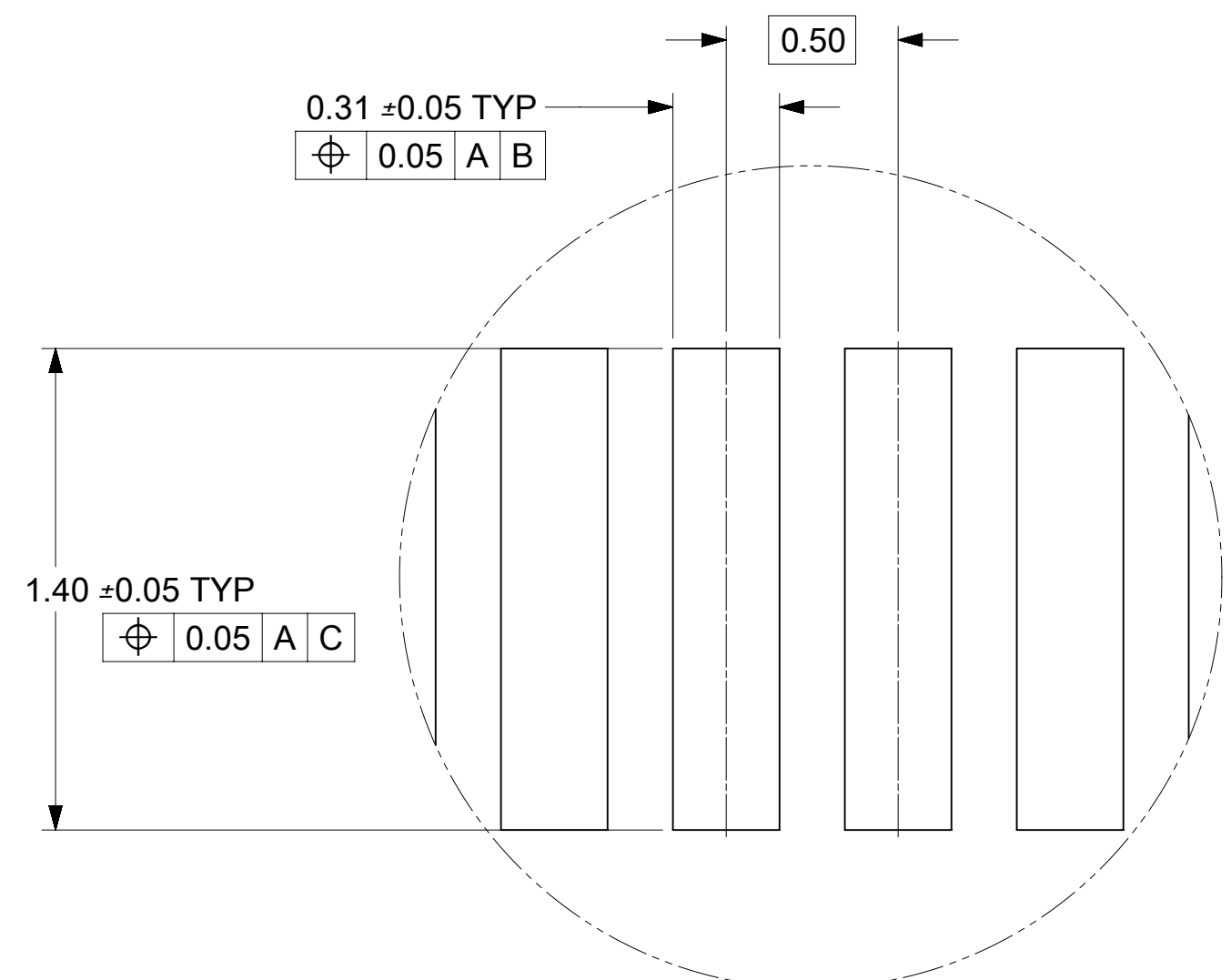
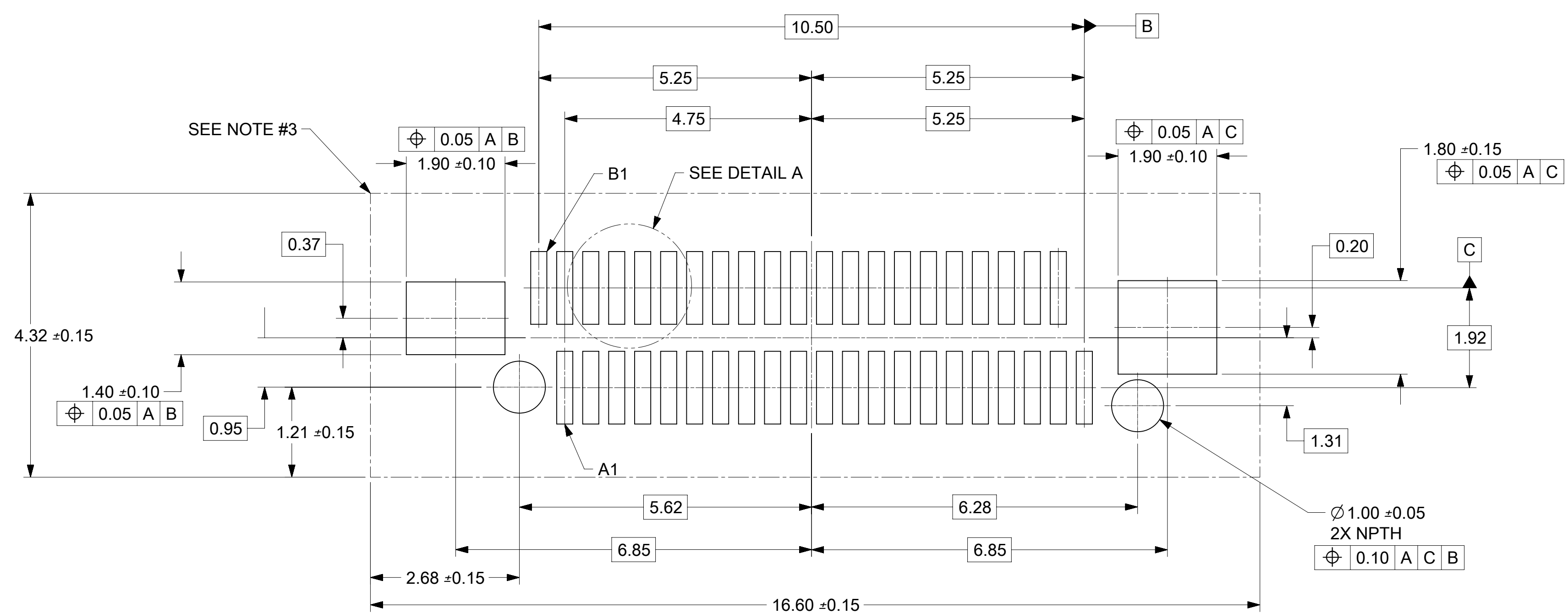
THIS DRAWING CONTAINS INFORMATION THAT IS PROPRIETARY TO MOLEX ELECTRONIC TECHNOLOGIES, LLC AND SHOULD NOT BE USED WITHOUT WRITTEN PERMISSION													
MIGRATED TO NX EC NO: 610015 DRWN: CHEN103 CHKD: JKACHLIC REV APPR: JKACHLIC	2018/09/14		2019/01/16		2019/01/16		GENERAL TOLERANCES (UNLESS SPECIFIED)		DIMENSION UNITS		SCALE		
	MM		INCH		MM		INCH		MM		15:1		
	4 PLACES ±		±		3 PLACES ±		±		DRWN BY		DATE		
	2 PLACES ±		0.13		1 PLACES ±		0.25		CHK'D BY		DATE		
	0 PLACES ±		±		APPR BY		DATE		MBANAKIS		2015/11/09		
ANGULAR TOL = 0.5		DRAFT WHERE APPLICABLE MUST REMAIN WITHIN DIMENSIONS		DRAWING SIZE		THIRD ANGLE PROJECTION		SERIES		MATERIAL NUMBER		CUSTOMER	
C		⊕		171983		SEE CHART		GENERAL MARKET		DOCUMENT NUMBER		DOC TYPE	
K1		P1		RELEASE DATE		2019/01/16 08:27:42		SD-171983-1000		PSD		DOC PART	
								001		SHEET NUMBER		6 OF 7	



NANO PITCH I/O
VERTICAL 4X

PRODUCT CUSTOMER DRAWING

42 CIRCUIT SMT RECOMMENDED FOOTPRINT



DETAIL A
SCALE 50:1

- NOTES:
1. MINIMUM RECOMMENDED SPACING BETWEEN ADJACENT CONNECTORS IS 19.05mm
 2. MINIMUM RECOMMENDED PCB THICKNESS: 1.57mm
 3. CONNECTOR KEEP OUT AREA
 4. DATUM -A- ESTABLISHED FROM TOP SURFACE OF PCB

THIS DRAWING CONTAINS INFORMATION THAT IS PROPRIETARY TO MOLEX ELECTRONIC TECHNOLOGIES, LLC AND SHOULD NOT BE USED WITHOUT WRITTEN PERMISSION											
MIGRATED TO NX EC NO: 610015 DRWN: CHEN103 CHKD: JKACHLIC REV / APPR: JKACHLIC	2018/09/14		2019/01/16		2019/01/16		GENERAL TOLERANCES (UNLESS SPECIFIED)		DIMENSION UNITS		SCALE
	MM		INCH		MM		INCH		MM		15:1
	4 PLACES ±		±		3 PLACES ±		±		DRWN BY		DATE
	2 PLACES ±		0.13 ±		1 PLACES ±		0.25 ±		CHK'D BY		DATE
	0 PLACES ±		±		APPR BY		DATE		MBANAKIS		2015/11/09
ANGULAR TOL = 0.5		DRAFT WHERE APPLICABLE MUST REMAIN WITHIN DIMENSIONS		DRAWING SIZE		THIRD ANGLE PROJECTION		C			
MOLEX			NANO PITCH I/O VERTICAL 4X			PRODUCT CUSTOMER DRAWING			SERIES MATERIAL NUMBER CUSTOMER		
171983			SEE CHART			GENERAL MARKET			DOCUMENT NUMBER DOC TYPE DOC PART SHEET NUMBER		
SD-171983-1000			PSD 001			7 OF 7					