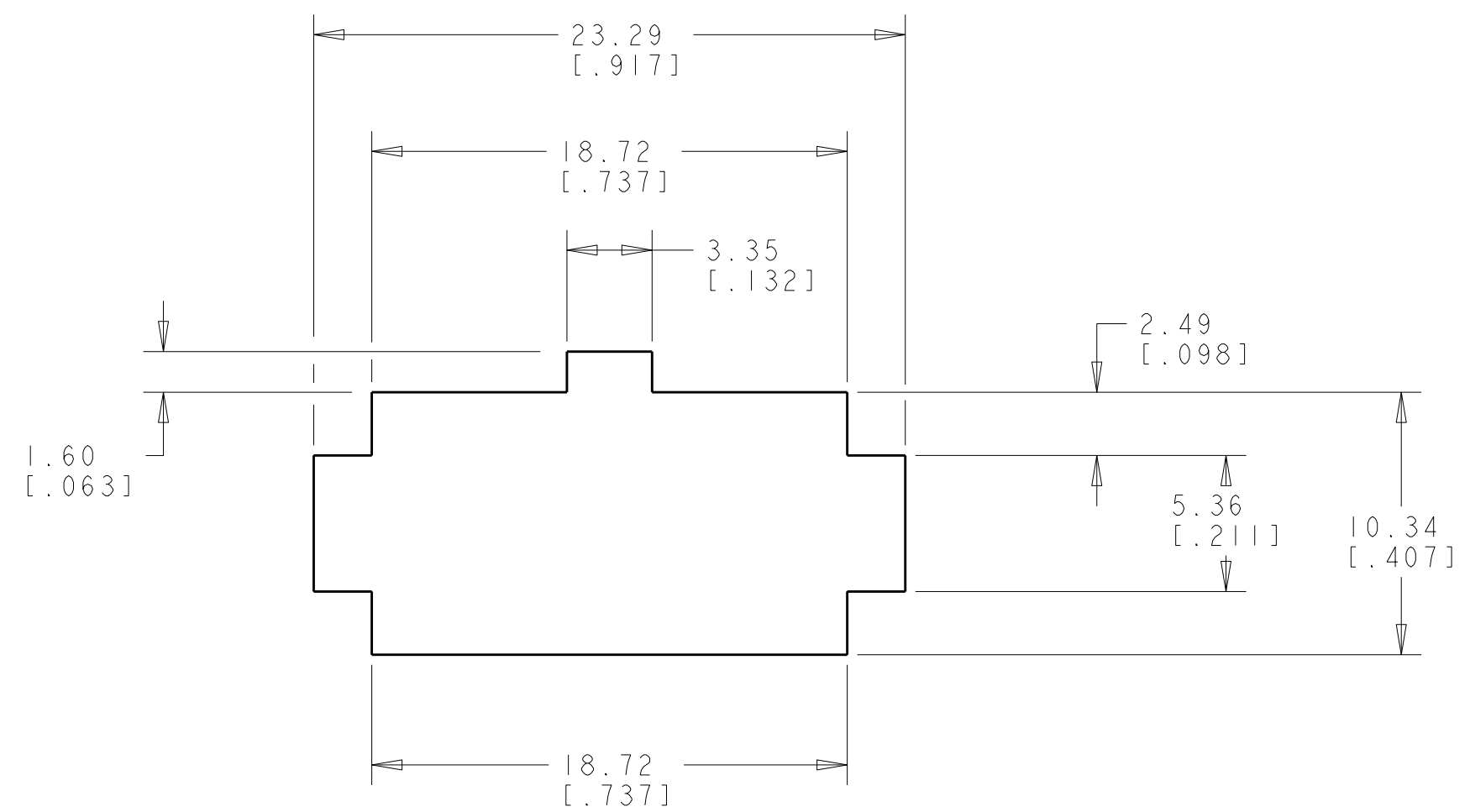
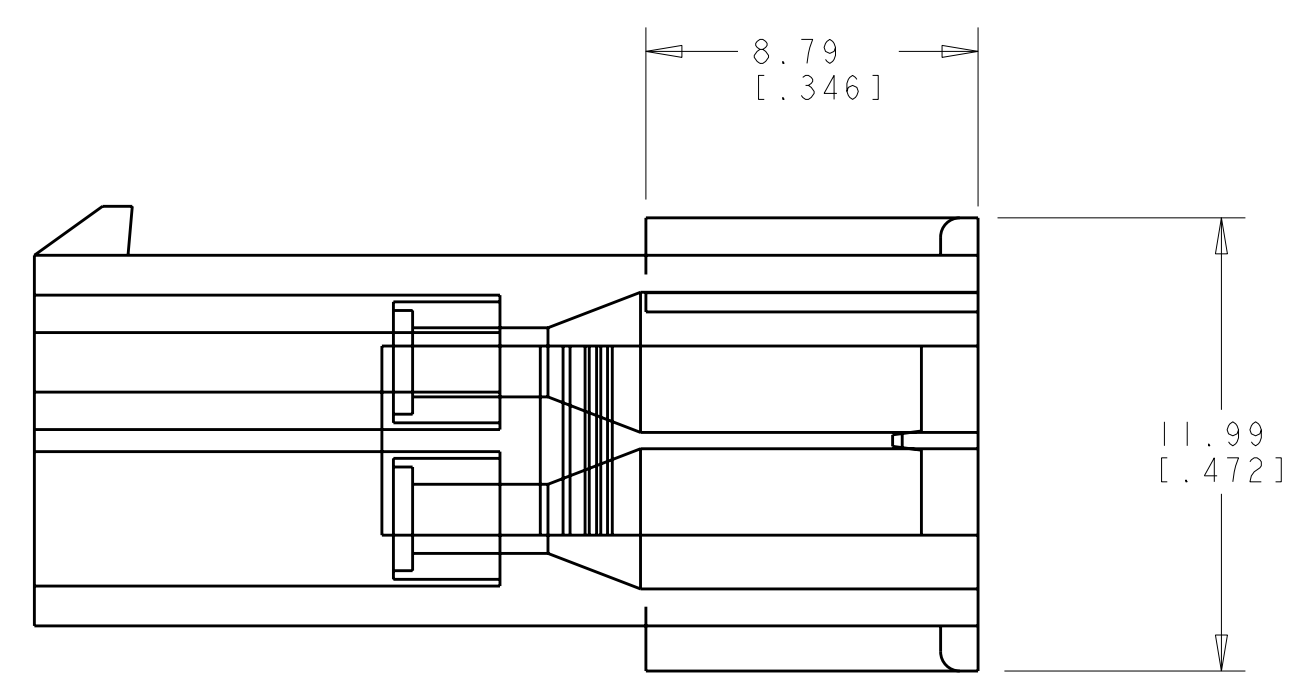
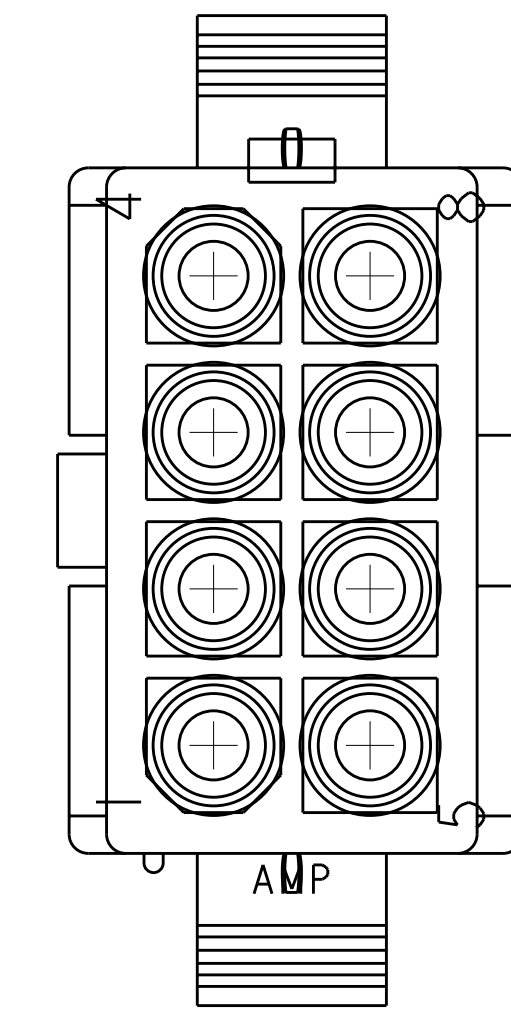
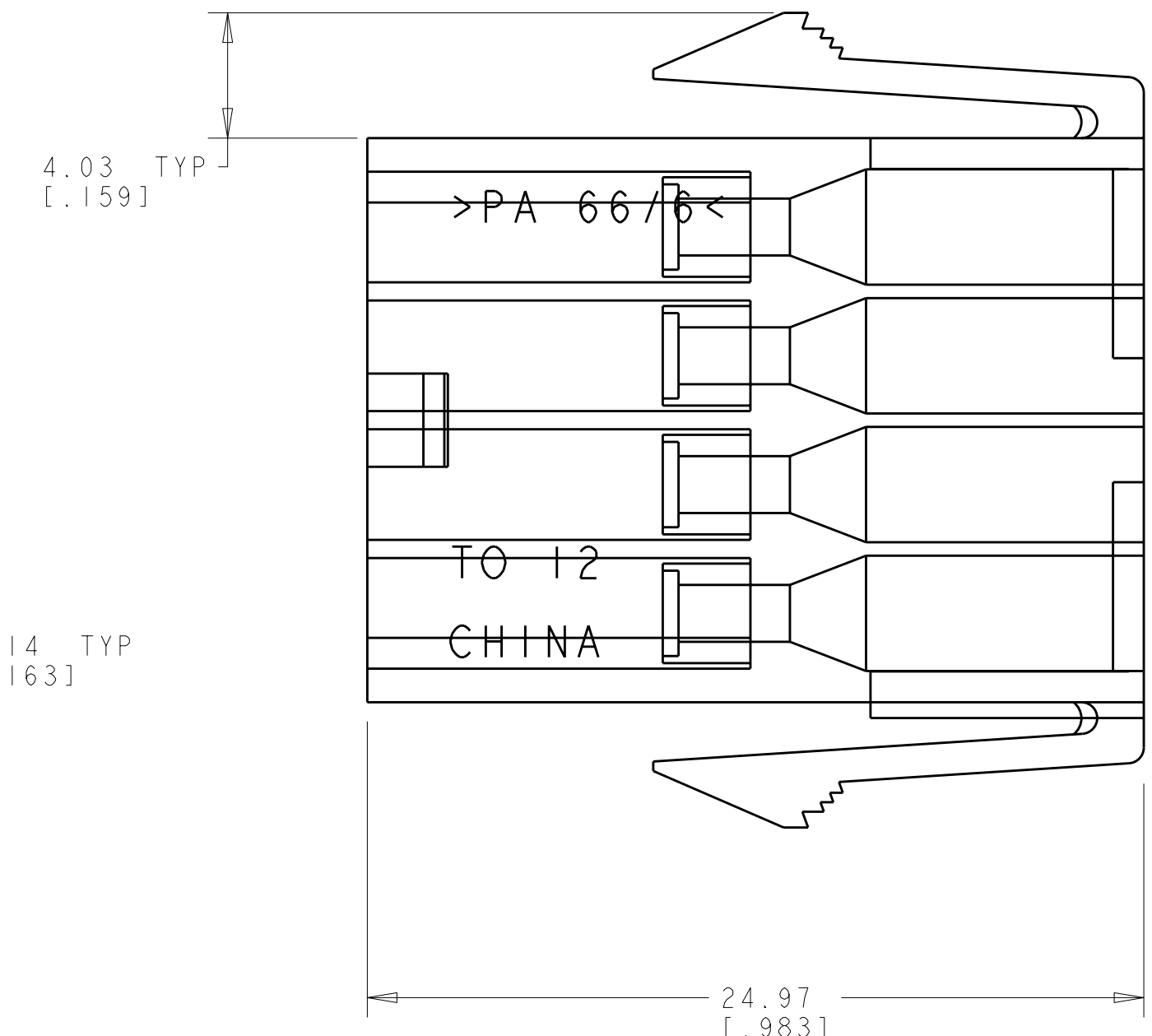
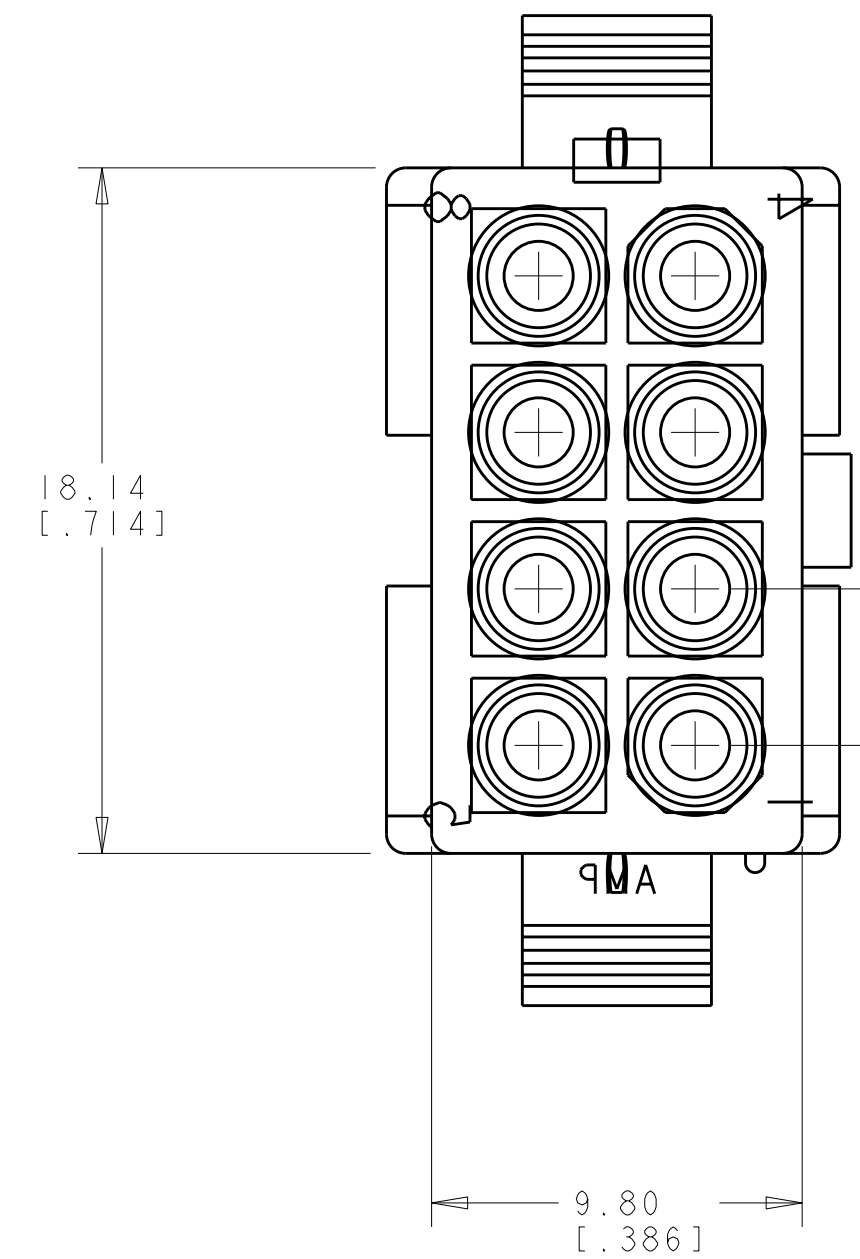


LOC	DIST	REV	DATE	BY	APPD
CM	00	B2	REV PER ECR 12-008408	01MAY12	JR

1. APPLICABLE CONTACT P/N: 170359, 170360, 170361, 170362.
2. DIMENSIONS IN BRACKETS ARE IN INCHES.
3. RECOMMENDED PANEL THICKNESS TO BE 0.8-2.0 [.031-.079].
4. HOUSING INSERTION INTO THE PANEL CUT OUT MUST BE IN THE SAME DIRECTION AS THE PUNCH.



RECOMMENDED PANEL CUT OUT SCALE 4:1

794941-1  
PART NUMBER



<small>THIS DRAWING IS UNPUBLISHED. RELEASED FOR PUBLICATION BY TYCO ELECTRONICS CORPORATION. ALL RIGHTS RESERVED.</small>		DWN: 23-JULY-2001 CHK: R. WHITAKER C. JONES APVD: C. JONES	Tyco Electronics Harrisburg, PA 17105-3608
DIMENSIONS: mm [ INCHES ]	TOLERANCES UNLESS OTHERWISE SPECIFIED: 9 PLC ± 8 PLC ±0.13 [ .005 ] 5 PLC ± 4 PLC ± ANGLES ±40° 30'	NAME: CAP. PRODUCT SPEC: 8 CIRCUIT, SEALED APPLICATION, APPLICATION SPEC: MINI UNIVERSAL MATE-N-LOK™	SIZE: A CAGE CODE: 00779 DRAWING NO: C=794941
MATERIAL: NYLON UL 94V-0 NATURAL	FINISH:	WEIGHT:	RESTRICTED TO: CUSTOMER DRAWING SCALE: 5:1 SHEET 1 OF 1 REV: B2