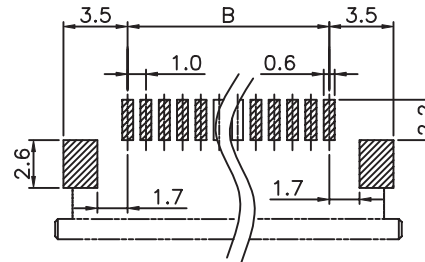


Recommended FFC



PCB LAYOUT - COMPONENT VIEW

MATERIAL:  
 HOUSING MATERIAL: PPS  
 COLOR: BEIGE  
 ACTUATOR MATERIAL: PPS  
 COLOR: BRACK  
 CONTACT MATERIAL: PHOSPOR BRONZE  
 CONTACT PLATING: 100µ" TIN OVER 50µ" NI  
 QUALITY CLASS: 25 MATING CYCLES\*

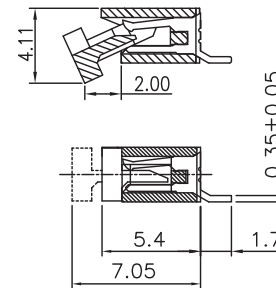
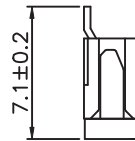
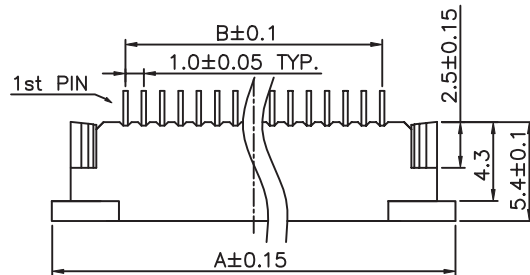
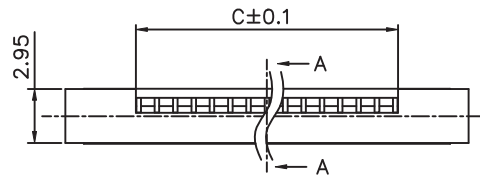
ENVIRONNEMENTAL:  
 OPERATING TEMPERATURE: -25°C UP TO 85°C  
 FLAMMABILITY RATING: UL94-V0  
 COMPLIANCE: LEAD FREE AND ROHS

ELECTRICAL:  
 CURRENT RATING: 1A  
 WORKING VOLTAGE: 125V  
 INSULATION RESISTANCE: >100MOHM  
 DIELECTRIC WITHSTANDING VOLT.: 500VAC/MN  
 CONTACT RESISTANCE: 20mOHM MAX

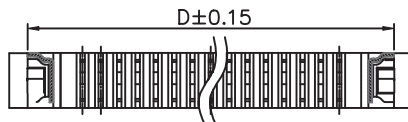
STANDARD  
 CERTIFIED: E323964 / MODEL NUMBER 686  
 FOLLOWED BY 1, FOLLOWED BY 03 THRU 30, FOLLOWED  
 BY 141 OR 144, FOLLOWED BY NUMERIC DIGITS

SOLDERING:  
 REFLOW PROCESS ONLY

DIMENSION:  
 A = B + 8.00  
 B = 1.00 x (NB PINS - 1)  
 C = B + 2.15  
 D = B + 6.00



SECT. A-A



RoHS Compliant

\*NOTE: theoretical value related to the Tin plating; however, due to the sensitive actuator, we recommend not to make more than 1 or 2 cycles in order to maintain acceptable mechanical & electrical conditions

PROJECTION:



GENERAL TOLERANCE

.X = +/- 0.2  
 .XX = +/- 0.15



APPROVAL: GMo

UNIT: MM

SCALE:

SHEET: 1/3

DRAW: AK

DESCRIPTION: 1.0MM ZIF FPC HORIZONTAL TOP CONTACT TYPE - TAPE & REEL PACKAGING

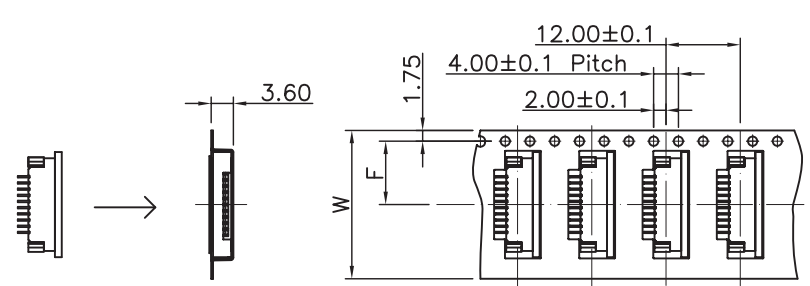
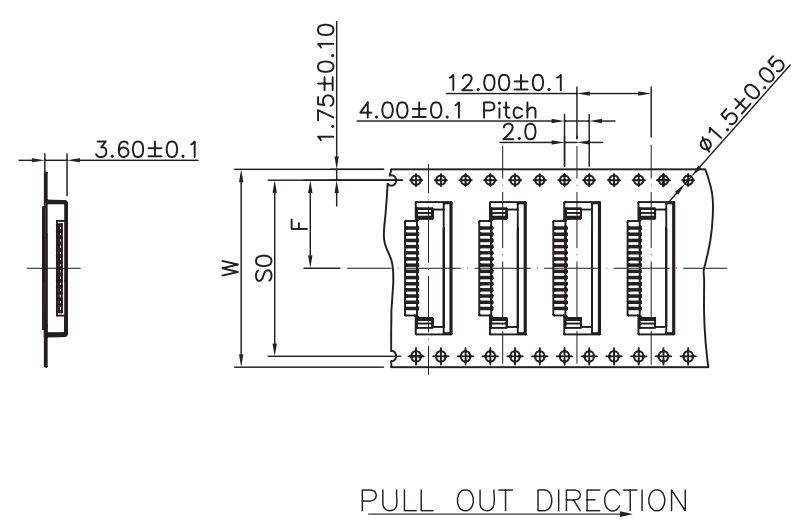
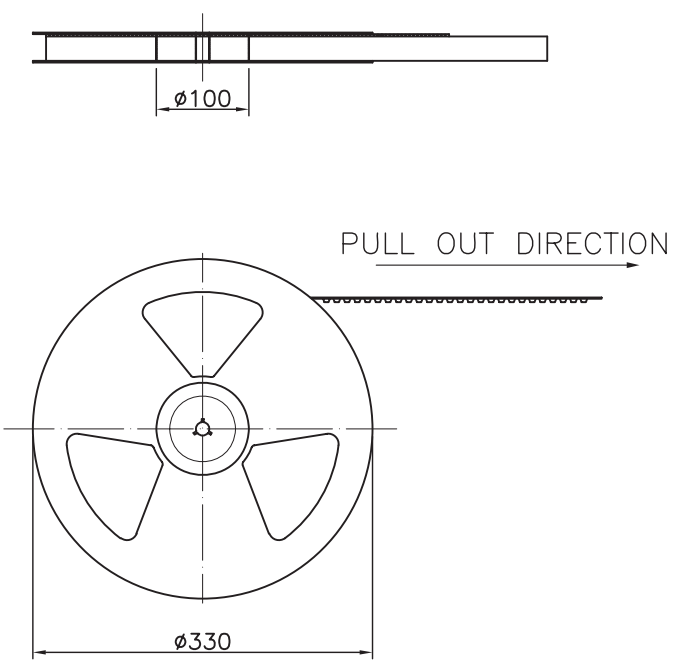
WERI PART NO: 686 1xx 141 22

SIZE

**A4**

REV	DATE	FILE	BY	PROJECTION: 	GENERAL TOLERANCE .X = +/- 0.2 .XX = +/- 0.15	 DESCRIPTION: 1.0MM ZIF FPC HORIZONTAL TOP CONTACT TYPE - TAPE & REEL PACKAGING WERI PART NO: 686 1xx 141 22	SIZE <b>A4</b>
P	29-JUN-17	RECOMMEND. FFC	AK	APPROVAL: GMo	UNIT: MM		
O	01-MAR-17	COLOR ACTUATOR	AK		SCALE:		
					SHEET: 1/3		
					DRAW: AK		

1 2 3 4 5



PART-NO.	4-9PIN	10-14PIN	15-26PIN	27-30PIN
W	24.00	32.00	44.00	56.00
F	11.50	14.20	20.20	26.20
S0	— —	28.40	40.40	52.40

RoHS Compliant				PROJECTION: 	GENERAL TOLERANCE .X = $\pm 0.2$ .XX = $\pm 0.15$	
G						
F				APPROVAL: GMo	UNIT: MM	DESCRIPTION: 1.0MM ZIF FPC HORIZONTAL TOP CONTACT TYPE - TAPE & REEL PACKAGING
E					SCALE:	
D					SHEET: 2/3	WERI PART NO: 686 1xx 141 22
C					DRAW: AK	
B						SIZE
A						<b>A4</b>
REV	DATE	FILE	BY			

1

2

3

4

5

## Cautions and Warnings:

This electronic component is designed and developed with the intention for use in general electronics equipments.

Before incorporating the components into any equipments in the field such as aerospace, aviation, nuclear control, submarine, transportation, (automotive control, train control, ship control), transportation signal, disaster prevention, medical, public information network etc. where higher safety and reliability are especially required or if there is possibility of direct damage or injury to human body, Würth Elektronik must be asked for a written approval.

In addition, even electronic component in general electronic equipments, when used in electrical circuits that require high safety, reliability functions or performance, the sufficient reliability evaluation-check for the safety must be performed before by the user before usage.

A

B

C

RoHS Compliant

PROJECTION:



GENERAL TOLERANCE

.X = +/- 0.2

.XX = +/- 0.15



APPROVAL: JC

UNIT: MM

SCALE:

SHEET: 3/3

DRAW: QL



DESCRIPTION: DISCLAIMER

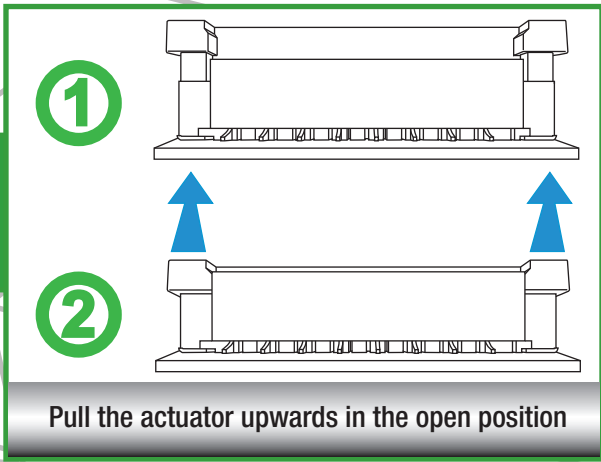
WERI PART NO: DISCLAIMER

SIZE

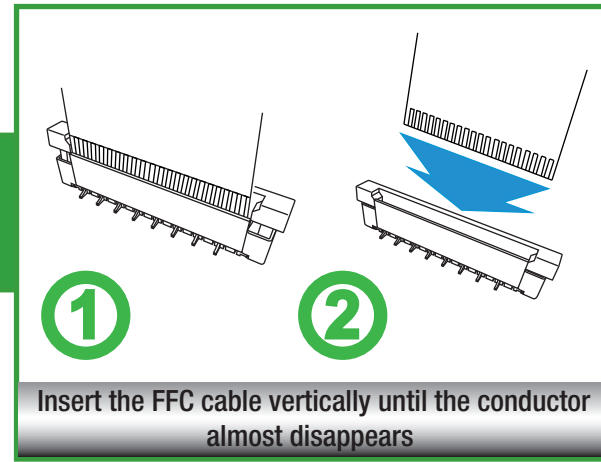
**A4**

D

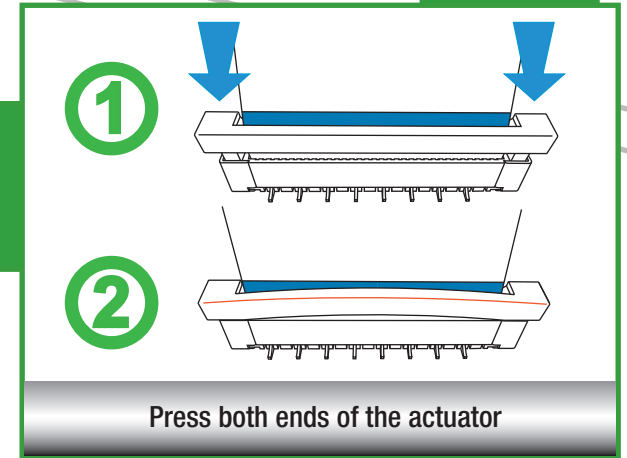
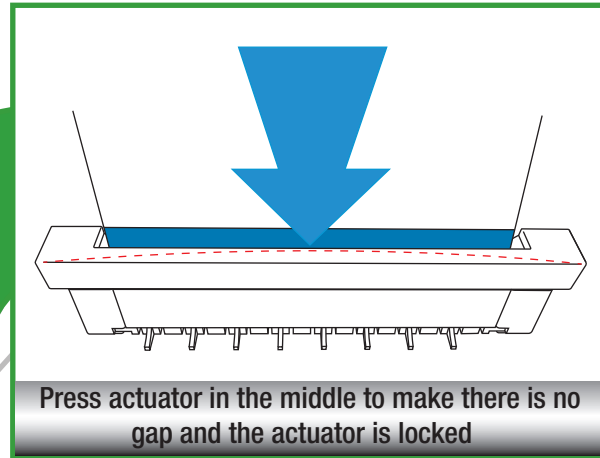
G				PROJECTION: 	GENERAL TOLERANCE .X = +/- 0.2 .XX = +/- 0.15	
F						
E						
D						
C				APPROVAL: JC	UNIT: MM SCALE: SHEET: 3/3 DRAW: QL	DESCRIPTION: DISCLAIMER WERI PART NO: DISCLAIMER
B						
A	10-SEP-14	PDF	QL			
REV	DATE	FILE	BY			

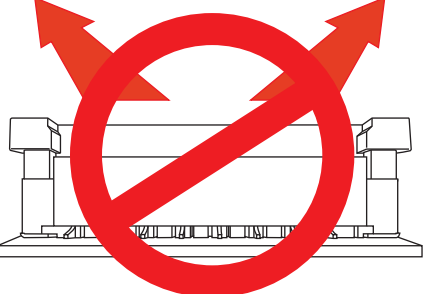


A



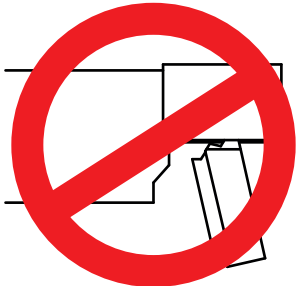
B



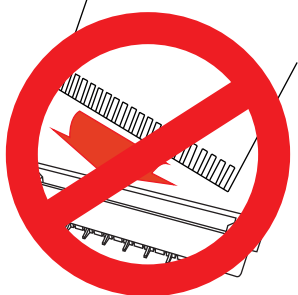


**Pull the actuator as horizontally as possible by a proper force**

**A**

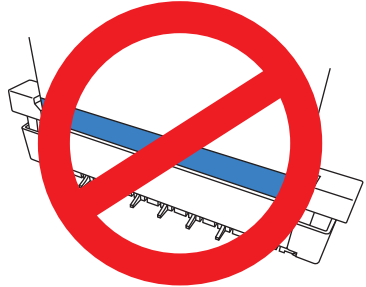


**Do not pull the actuator too far otherwise the stop limit (hook on actuator) may be broken**



**Do not keep FFC inclined when insertion**

**B**



**Don't keep conductor toward actuator**