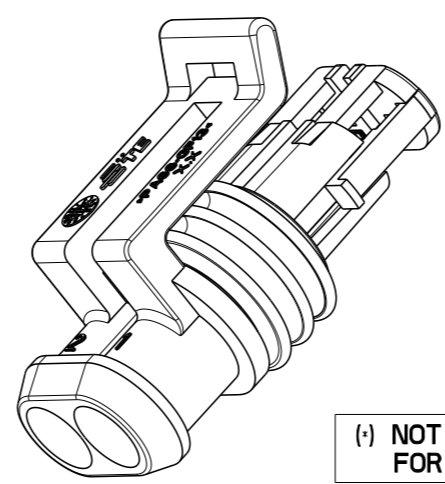
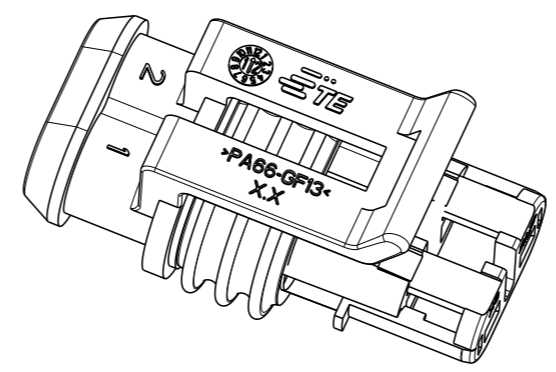
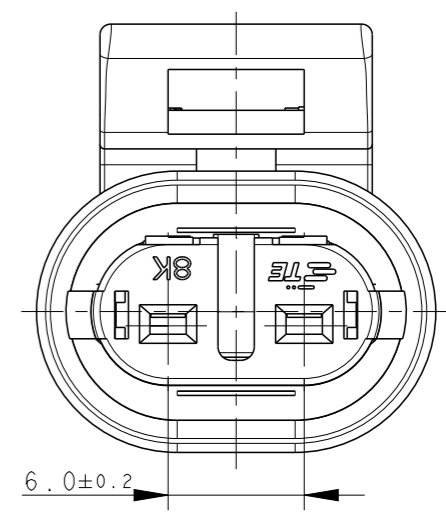
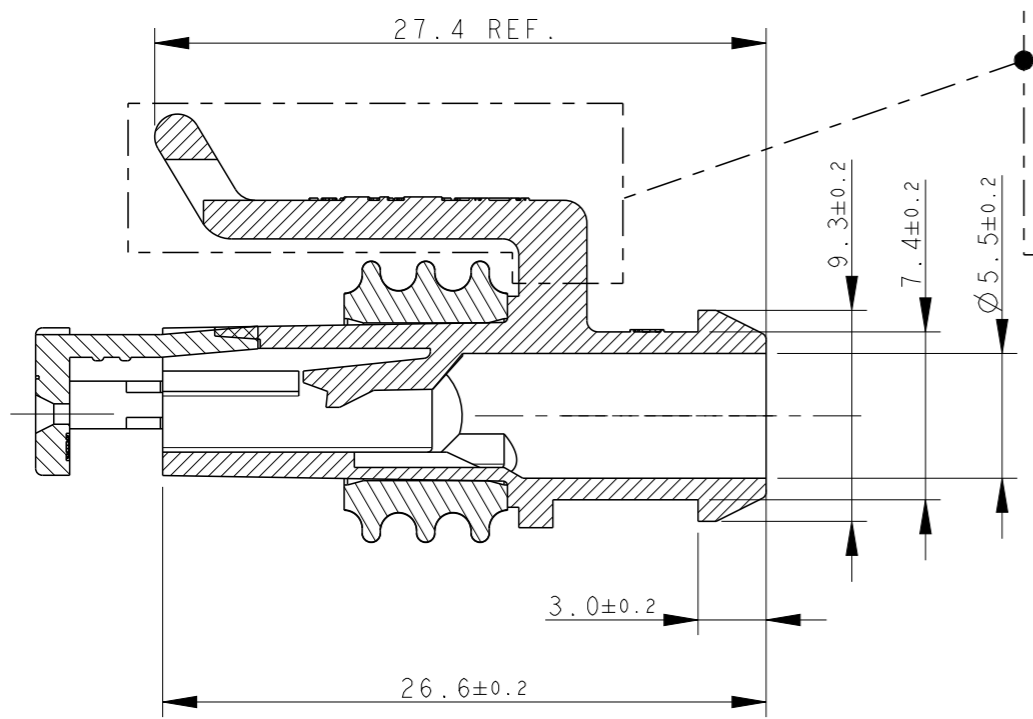
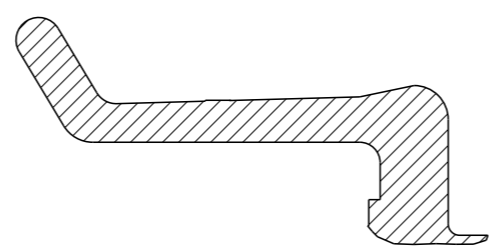


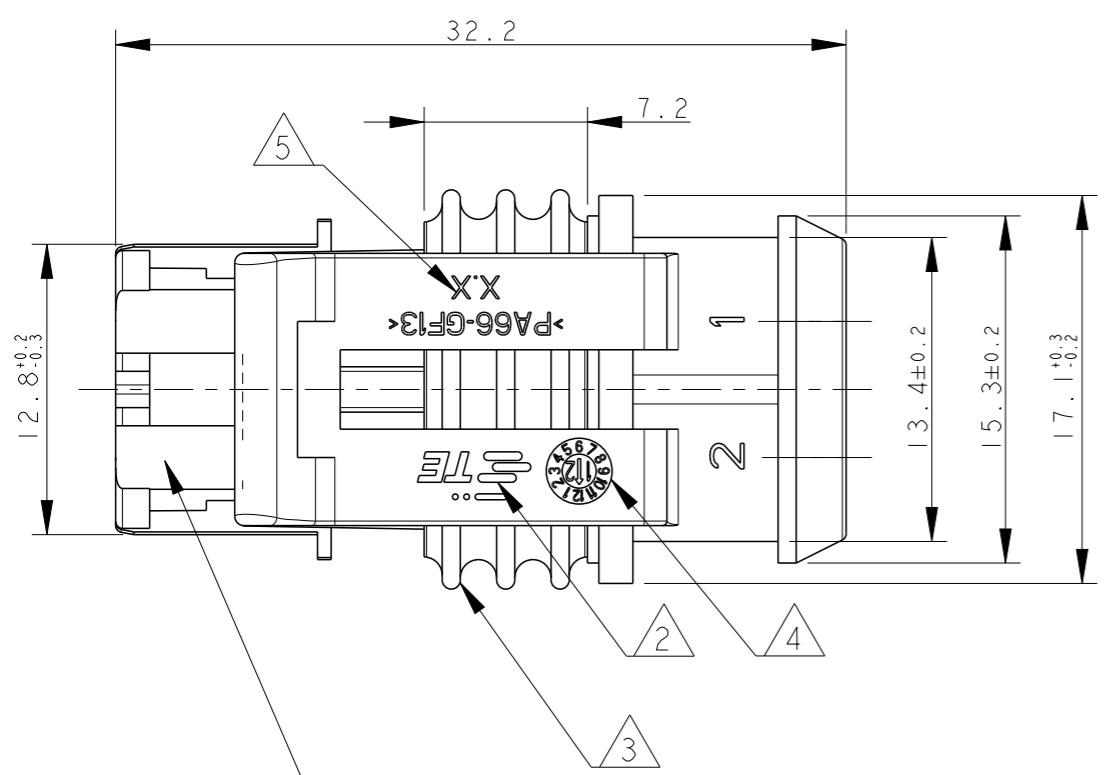
REVISIONS

P	LTR	DESCRIPTION	DATE	DWN	APVD
D2		ADDED FSL SEAL VERSION (ECO-15-016364)	13NOV2015	M.G.	M.G.
D3		REVISED PER ECO-17-001706	10FEB2017	C.A.	M.G.
D4		REVISED PER ECO-19-017338	15NOV2019	AP	VN
D5		REVISED PER ECO-20-009351	03JUL2020	AP	VN

ALTERNATIVE DESIGN OF LOCKING LANCE



- 1) FOR COUNTERPART DETAILS, SEE SHEET 2 OF 2
- 2) TE CONNECTIVITY TRADE MARK, (IN ALTERNATIVE: "AMP" LOGO, OR "E" LOGO, OR "Tyco Electronics" LOGO)
- 3) SEALING (COLOUR YELLOW FOR LSR VERSION) (COLOUR WHITE FOR FSL VERSION)
- 4) DATECODE (OPTIONAL IN OLD MOULDS).
- 5) MOULD/MOULD CAVITY NUMBER



(*) NOT YET RELEASED FOR PRODUCTION

FINISH/COLOR	MATERIAL	PART NUMBER
HSG-WHITE, SL-WHITE	ACC. TO IEC 60335-1 HSG+SL: PA66GF20 UL94-V2 SEALING: LSR	1745096-1
HSG-BLACK, SL-RED	HOUSING+SEC.LOCK:PA66-GF SEALING: FSL	1-282080-1 (*)
HSG-BROWN, SL-RED	HOUSING+SEC.LOCK:PA66-GF SEALING: LSR	282080-4
HSG-GREEN, SL-RED		282080-3
HSG-GRAY, SL-RED		282080-2
HSG-BLACK, SL-RED		282080-1

PRE-ASSEMBLED SECONDARY LOCK (COLOUR RED/WHITE)

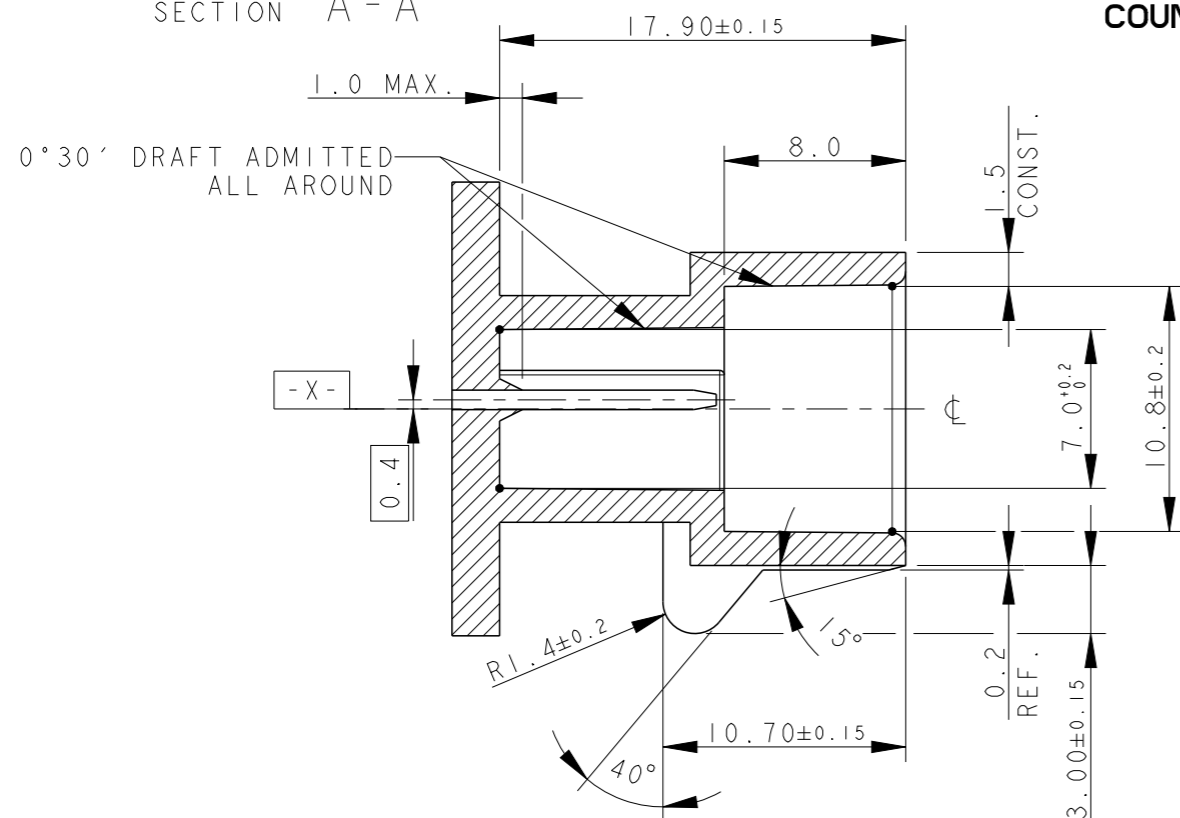
THIS DRAWING IS A CONTROLLED DOCUMENT.

DWN C. BERTINI 05-1992	NAME -	TE Connectivity
CHK A. BRUNI 05-1992		
APVD -	PRODUCT SPEC 108-20090	AMP SUPERSEAL 1.5 SRS. 2 POSITIONS PLUG ASS'Y
MATERIAL -	FINISH -	
DIMENSIONS: mm	TOLERANCES UNLESS OTHERWISE SPECIFIED:	SIZE A3
0 PLC ±-	1 PLC ±0.3	CAGE CODE 00779
1 PLC ±-	2 PLC ±-	DRAWING NO C-282080
2 PLC ±-	3 PLC ±-	RESTRICTED TO -
3 PLC ±-	4 PLC ±-	SCALE 3:1
4 PLC ±-	ANGLES ±2°	SHEET 1 OF 2
MATERIAL -	FINISH -	REV D5
SEE TABLE	SEE TABLE	Customer Drawing

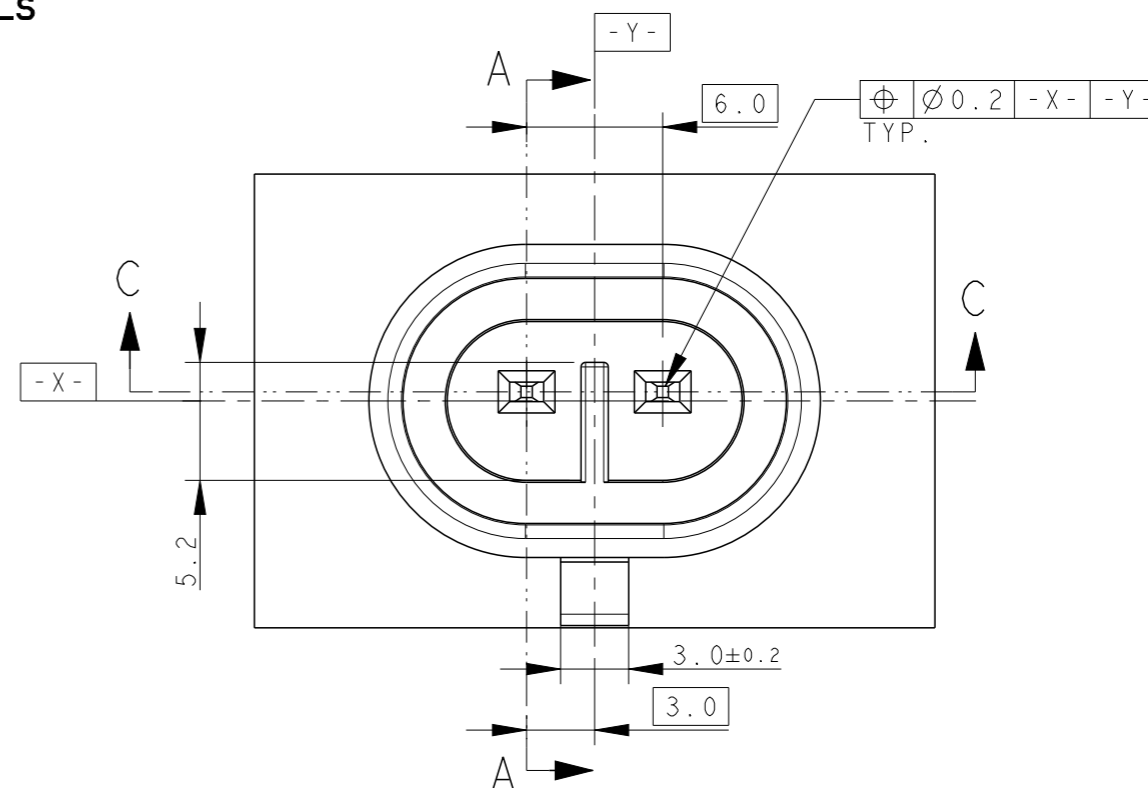
REVISIONS

P	LTR	DESCRIPTION	DATE	DWN	APVD
-	-	SEE SHEET 1	-	-	-

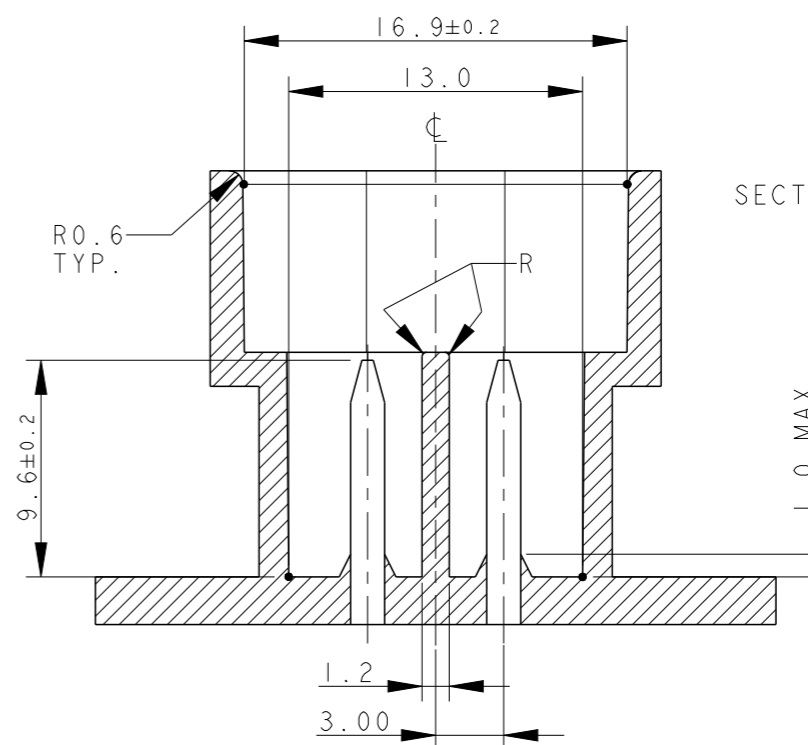
SECTION A - A



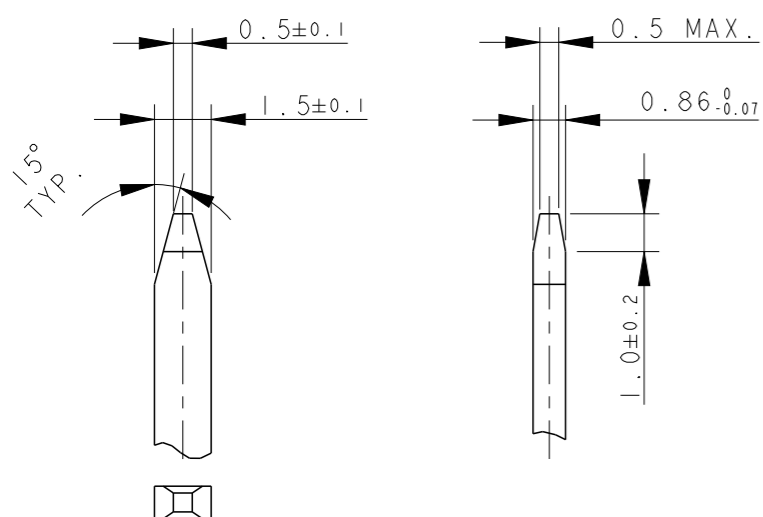
COUNTERPART DETAILS



SECTION C - C



TAB DETAILS



MATERIALS: PA66-GF FOR HOUSING
 TIN PLATED BRASS FOR TABS
 FOR PN 1745096-1; COUNTER PART MATL
 PA66-GF ACC TO IEC60335-1
 PRODUCT SPEC: 108-20090-2

THIS DRAWING IS A CONTROLLED DOCUMENT.

DWN C. BERTINI 05-1992

CHK A. BRUNI 05-1992

APVD -

NAME



DIMENSIONS:

mm

TOLERANCES UNLESS OTHERWISE SPECIFIED:

- 0 PLC ±0.3
- 1 PLC ±0.1
- 2 PLC ±0.05
- 3 PLC ±
- 4 PLC ±
- ANGLES ±2°



MATERIAL



FINISH



PRODUCT SPEC

108-20090

APPLICATION SPEC

412-20000

WEIGHT

2.60gr

SIZE

A3

CAGE CODE

00779

DRAWING NO

C-282080

RESTRICTED TO

-

Customer Drawing

SCALE 5:1

SHEET 2 OF 2

REV D5