

PCN Number:	20140311002		PCN Date:	03/13/2014																		
Title:	Qualification of Carrier Tape for Select TO-263 Package Devices																					
Customer Contact:	PCN Manager	Phone:	+1(214) 480-6037	Dept: Quality Services																		
Change Type:																						
<input type="checkbox"/>	Assembly Site	<input type="checkbox"/>	Assembly Process	<input type="checkbox"/>	Assembly Materials																	
<input type="checkbox"/>	Design	<input type="checkbox"/>	Electrical Specification	<input type="checkbox"/>	Mechanical Specification																	
<input type="checkbox"/>	Test Site	<input checked="" type="checkbox"/>	Packing/Shipping/Labeling	<input type="checkbox"/>	Test Process																	
<input type="checkbox"/>	Wafer Bump Site	<input type="checkbox"/>	Wafer Bump Material	<input type="checkbox"/>	Wafer Bump Process																	
<input type="checkbox"/>	Wafer Fab Site	<input type="checkbox"/>	Wafer Fab Materials	<input type="checkbox"/>	Wafer Fab Process																	
<input type="checkbox"/>		<input type="checkbox"/>	Part number change	<input type="checkbox"/>																		
PCN Details																						
Description of Change:																						
This notification is to inform of TI's Qualification of Carrier Tape for Select TO-263 Package Devices. Carrier Tape design differences shown below:																						
<table border="1"> <thead> <tr> <th>Description</th> <th>Current Carrier Tape (EMB-X0036), mm</th> <th>New Carrier Tape (EMB-X0038), mm</th> </tr> </thead> <tbody> <tr> <td>Ao (Width)</td> <td>10.6 ± 0.1</td> <td>10.8 ± 0.1</td> </tr> <tr> <td>Bo (Length)</td> <td>15.8 ± 0.1</td> <td>16.3 ± 0.1</td> </tr> <tr> <td>Ko (Depth)</td> <td>4.90 ± 0.1</td> <td>5.11 ± 0.1</td> </tr> <tr> <td>Pitch</td> <td>16.0 ± 0.1</td> <td>16.0 ± 0.1</td> </tr> <tr> <td>Tape Width</td> <td>24.0 ± 0.3</td> <td>24.0 ± 0.3</td> </tr> </tbody> </table>					Description	Current Carrier Tape (EMB-X0036), mm	New Carrier Tape (EMB-X0038), mm	Ao (Width)	10.6 ± 0.1	10.8 ± 0.1	Bo (Length)	15.8 ± 0.1	16.3 ± 0.1	Ko (Depth)	4.90 ± 0.1	5.11 ± 0.1	Pitch	16.0 ± 0.1	16.0 ± 0.1	Tape Width	24.0 ± 0.3	24.0 ± 0.3
Description	Current Carrier Tape (EMB-X0036), mm	New Carrier Tape (EMB-X0038), mm																				
Ao (Width)	10.6 ± 0.1	10.8 ± 0.1																				
Bo (Length)	15.8 ± 0.1	16.3 ± 0.1																				
Ko (Depth)	4.90 ± 0.1	5.11 ± 0.1																				
Pitch	16.0 ± 0.1	16.0 ± 0.1																				
Tape Width	24.0 ± 0.3	24.0 ± 0.3																				
See Attachment A for detail drawings.																						
Reason for Change:																						
Continuity of supply																						
Anticipated impact on Fit, Form, Function, Quality or Reliability (positive / negative):																						
None																						
Changes to product identification resulting from this PCN:																						
None																						
Product Affected:																						
LM2940-50CKTTR	TL2575-33IKTTR	TL750M12QKTTRQ1	TPS7A4525KTTR																			
LM2940-50IKTTR	TL2575-33IKTTRG3	TL751M05QKTTRQ1	TPS7A4525KTTRG3																			
LM317KTTR	TL2575-ADJIKTTR	TL751M08QKTTRQ1	TPS7A4533KTTR																			
LM317KTTRG3	TL2575-ADJIKTTRG3	TL751M12QKTTRQ1	TPS7A6033QKTTRQ1																			
LM337KTTR	TL2575HV-05IKTTR	TL760M33QKTTRQ1	TPS7A6050QKTTRQ1																			
LM337KTTRG3	TL2575HV-05IKTTRG3	TL771M05QKTTRQ1	TPS7A6133QKTTRQ1																			
TL10159-ADJKTTR	TL2575HV-05QKTTRQ1	TL780-05CKTTR	TPS7A6150QKTTRQ1																			
TL10159-ADJKTTRG3	TL2575HV-12IKTTR	TL780-05CKTTRG3	TPS7A6201QKTTRQ1																			
TL1963A-15KTTR	TL2575HV-12IKTTRG3	TL783CKTTR	TPS7A6533QKTTRQ1																			
TL1963A-15KTTRG3	TL2575HV-15IKTTR	TL783CKTTRG3	TPS7A6550QKTTRQ1																			
TL1963A-18KTTR	TL2575HV-15IKTTRG3	TLE4275QKTTRQ1	UA7805CKTTR																			
TL1963A-18KTTRG3	TL2575HV-33IKTTR	TLE4275QKTTRSV	UA7805CKTTRG3																			
TL1963A-25KTTR	TL2575HV-33IKTTRG3	TLV1117CKTTR	UA7808CKTTR																			
TL1963A-25KTTRG3	TL2575HV-33QKTTRQ1	TLV1117CKTTRG3	UA7808CKTTRG3																			
TL1963A-33KTTR	TL2575HV-ADJIKTTR	TLV1117IKTTR	UA7810CKTTR																			
TL1963AKTTR	TL4242QKTTRQ1	TLV1117IKTTRG3	UA7810CKTTRG3																			

TL1963AKTTRG3	TL4275KTTR	TPS78405KTTR	UA7812CKTTR
TL1963AQKTTRQ1	TL720M05QKTTRQ1	TPS78405KTTRG3	UA7812CKTTRG3
TL2575-05IKTTR	TL732M01QKTTRQ1	TPS78601QKTTRSV	UA7815CKTTR
TL2575-05IKTTRG3	TL750L05CKTTR	TPS7A4501KTTR	UA7815CKTTRG3
TL2575-12IKTTR	TL750L05CKTTRG3	TPS7A4515KTTR	UA7824CKTTR
TL2575-12IKTTRG3	TL750M05CKTTR	TPS7A4515KTTRG3	UA7824CKTTRG3
TL2575-15IKTTR	TL750M05CKTTRG3	TPS7A4518KTTR	UA7905CKTTR
TL2575-15IKTTRG3	TL750M05QKTTRQ1	TPS7A4518KTTRG3	UA7905CKTTRG3

Qualification Data:



Shipping Tape & Reel Qualification Summary (QSS 003-008)

A/T Site: Nantong Fujitsu

Supplier: **KOSTAT**
Vendor Part No: **NFME-EMB-X0048**
TI Part No: CA-17 (if available)
Weight/meter (g) **9.79g**
Package Description **T0263**
Package Designator **KTT**
Result: **Pass**
Date: February 17, 2014

	<u>Pass</u>	(Pass/Fail)
I. First Article Inspection Test	<u>Yes</u>	
II. Manufacturability Test	<u>Yes</u>	
III. Camber Test	<u>Yes</u>	
IV. Surface Resistivity Test	<u>Yes</u>	
III. Dimensional Check (Measured by IQC)	<u>Yes</u>	
IV. Fit Analysis	<u>Yes</u>	
V. Drop Test	<u>Yes</u>	
VI. Supplier Drawing	<u>Yes</u>	

For questions regarding this notice, e-mails can be sent to the regional contacts shown below or your local Field Sales Representative.

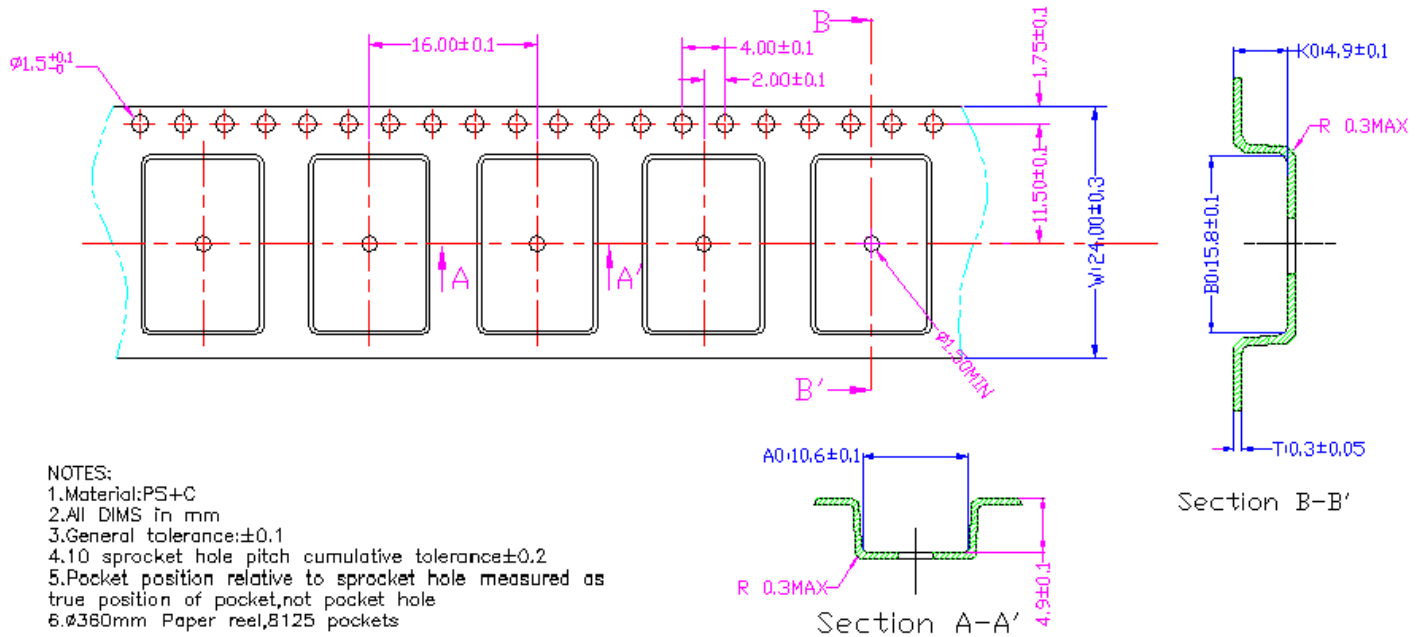
Location	E-Mail
USA	PCNAmericasContact@list.ti.com
Europe	PCNEuropeContact@list.ti.com
Asia Pacific	PCNAsiaContact@list.ti.com
Japan	PCNJapanContact@list.ti.com

See Attachment A on the following page

Attachment A

CHANGE FROM EMB-X0036 TO EMB-X0038 Carrier Tape

From: **EMB-X0036**



To: **EMB-X0038**

